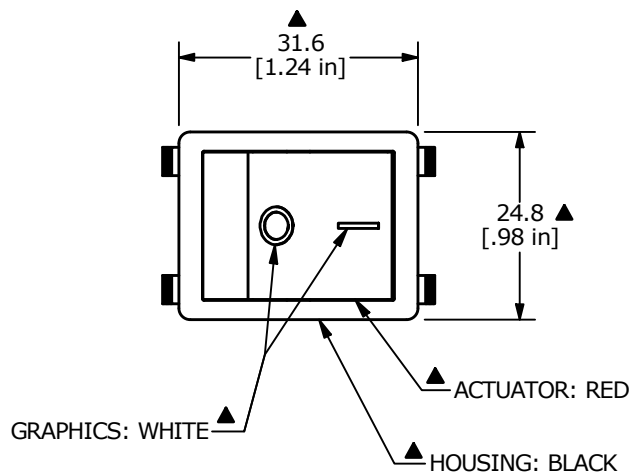
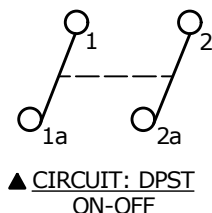


RECOMMENDED PANEL MOUNTING

PANEL THICKNESS	X
0.70-1.25	30.1±0.1
1.25-2.00	30.3±0.1
2.00-3.00	30.7±0.1

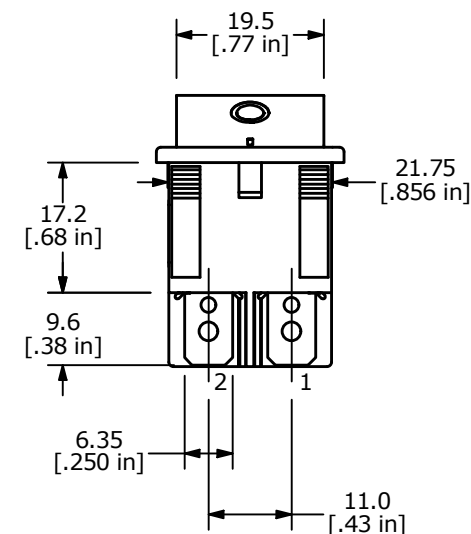
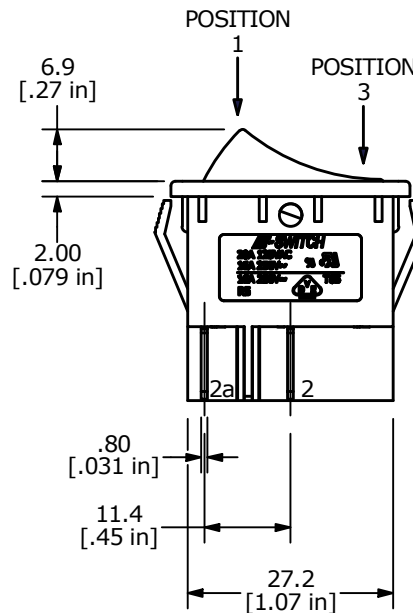


SWITCH FUNCTION		
POS. 1	POS. 2	POS. 3
OFF	NONE	ON
OPEN	N/A	1-1a, 2-2a



NOTES:

1. ALL DIMENSIONS IN MM [INCH]
2. GENERAL TOLERANCE: X.X = ±0.4
X.XX = ±0.25
3. TERM. NOS. FOR REF. ONLY
4. RATING: 20A @125VAC 3/4 HP UL APPROVED
16A @250VAC 1 HP UL APPROVED
16A @ 250VAC 1 HP VDE APPROVED
5. ELECTRICAL LIFE: 10,000 CYCLES
6. MECHANICAL LIFE: 30,000 CYCLES
7. CONTACT RESISTANCE: <20 MILLI-OHMS INITIAL
8. DIELECTRIC STRENGTH: >1,500V AC 1MIN
9. INSULATION RESISTANCE: >1000MOHMS
10. OPERATING TEMP: TERMINAL SIDE: -20°C to 85°C
ROCKER SIDE: -20°C to 55°C
11. ▲ DENOTES CRITICAL PARAMETER.



REV	ECO NO	DESCRIPTION	DATE	BY
B	ECO-101582	UPDATE PRINT	01/30/23	JS



OBJECT ID
000016763

TITLE R5ABLKREDF0		SCALE 1:1	DATE 8/20/2015	DR BMA	DWG M530776	REV B
----------------------	--	--------------	-------------------	-----------	----------------	----------