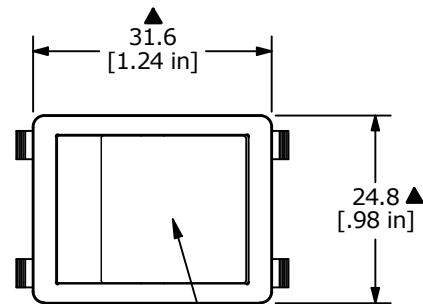


RECOMMENDED PANEL MOUNTING

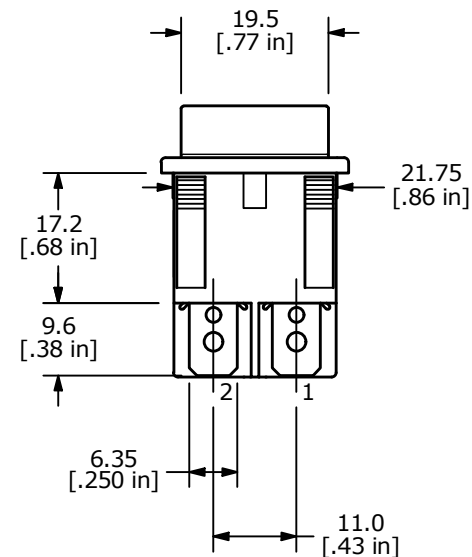
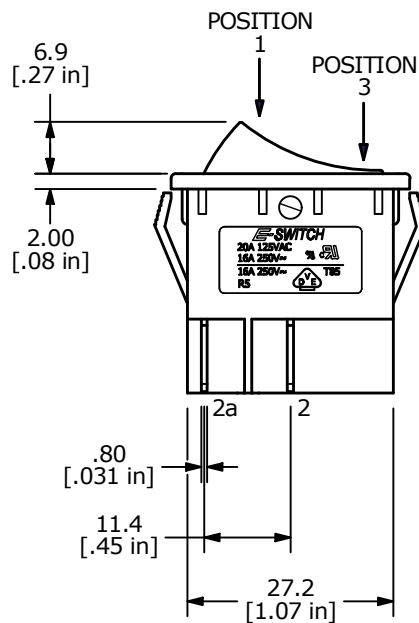
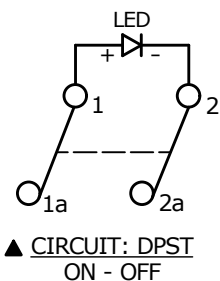
PANEL THICKNESS	X
0.75-1.25mm	30.0-30.2mm
1.25-2.00mm	30.2-30.4mm
2.00-3.00mm	30.6-30.8mm



▲ HOUSING COLOR: BLACK
▲ ILLUMINATED ROCKER COLOR: GREEN



SWITCH FUNCTION		
POS. 1	POS. 2	POS. 3
OFF	NONE	ON
OPEN	N/A	1-1a, 2-2a



- NOTES:
- ALL DIMENSIONS IN MM [INCH]
 - GENERAL TOLERANCE: X.X = ±0.4
X.XX = ±0.25
 - TERM. NUMBERS FOR REF. ONLY
 - RATING: 20A @ 125VAC 3/4HP UL
16A @ 250VAC 1HP UL
16A @ 250VAC 1HP VDE
 - ELECTRICAL LIFE: 10,000 CYCLES
 - MECHANICAL LIFE: 30,000 CYCLES
 - CONTACT RESISTANCE: <20 MILLI-OHMS INITIAL
 - DIELECTRIC STRENGTH: >1,500V AC 1MIN
 - INSULATION RESISTANCE: >1000MOHMS
 - OPERATING TEMP: TERMINAL SIDE: -20°C to 85°C
ROCKER SIDE: -20°C to 55°C
 - LAMP: LED 12VDC
 - ▲ DENOTES CRITICAL PARAMETER.

REV	ECO NO	DESCRIPTION	DATE	BY
G	ECO-101575	PRINT UPDATE	01/30/23	JS



OBJECT ID
000016431

TITLE R5BBLKGRNEF3		SCALE 1:1	DATE 3/21/2011	DR BMA	DWG M050200	REV G
-----------------------	--	--------------	-------------------	-----------	----------------	----------