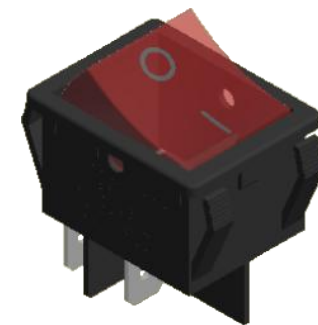
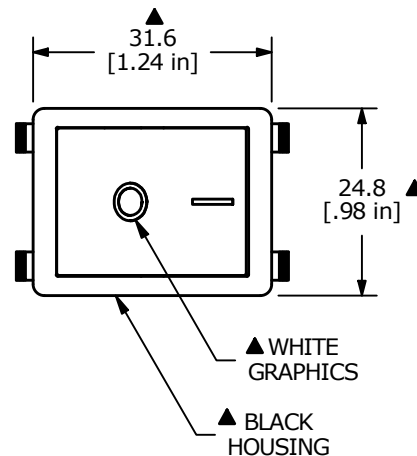
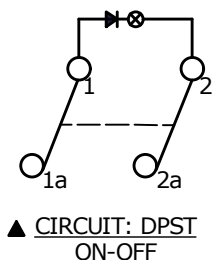


RECOMMENDED PANEL MOUNTING

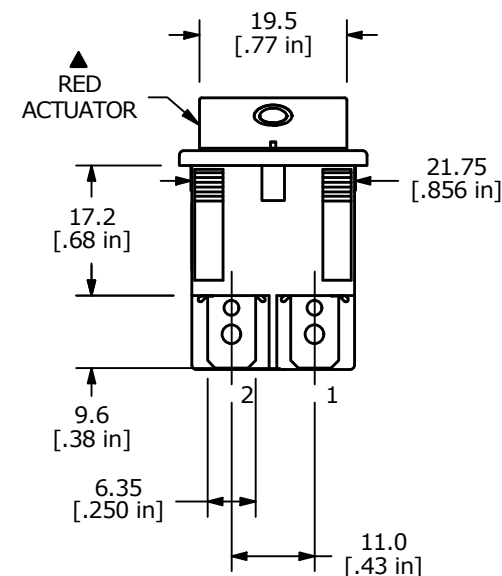
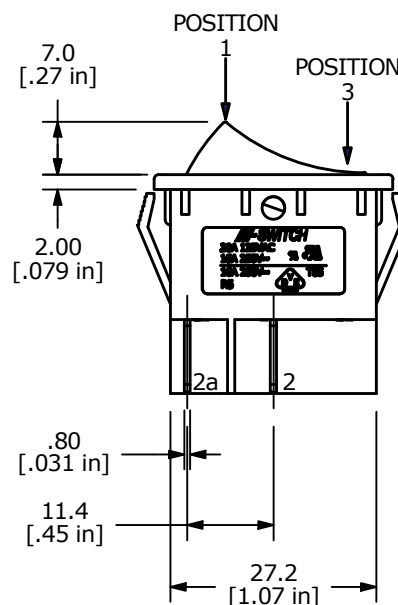
| PANEL THICKNESS | X |
|-----------------|-----------|
| 0.75-1.25 | 30.0-30.2 |
| 1.25-2.00 | 30.2-30.4 |
| 2.00-3.00 | 30.6-30.8 |



| SWITCH FUNCTION | | |
|-----------------|--------|------------|
| POS. 1 | POS. 2 | POS. 3 |
| | | |
| OFF | NONE | ON |
| OPEN | N/A | 1-1a, 2-2a |



- NOTES:
- ALL DIMENSIONS IN MM [INCH]
 - GENERAL TOLERANCE: X.X=±0.4
X.XX=±0.25
 - TERM. NOS. FOR REF. ONLY
 - RATING: 20A @125VAC 3/4HP UL APPROVED
16A @250VAC 1HP UL APPROVED
16A @ 250VAC 1HP VDE APPROVED
 - ELECTRICAL LIFE: 10,000 CYCLES
 - MECHANICAL LIFE: 30,000 CYCLES
 - CONTACT RESISTANCE: <20 MILLI-OHMS INITIAL
 - DIELECTRIC STRENGTH: >1,500V AC 1MIN
 - INSULATION RESISTANCE: >1000MOHMS
 - OPERATING TEMP: TERMINAL SIDE: -20°C to 85°C
ROCKER SIDE: -20°C to 55°C
 - LAMP: NEON 125V AC
 - ▲ DENOTES CRITICAL PARAMETER.



| REV | ECO NO | DESCRIPTION | DATE | BY |
|-----|------------|--------------|----------|----|
| F | ECO-101578 | PRINT UPDATE | 01/30/23 | JS |
| | | | | |



OBJECT ID
000016446

| | | | | |
|-------------------|----------------|-------|-------------|-------|
| TITLE R5BBLKREDF1 | | | | |
| SCALE 1:1 | DATE 3/21/2011 | DR BA | DWG M050215 | REV F |