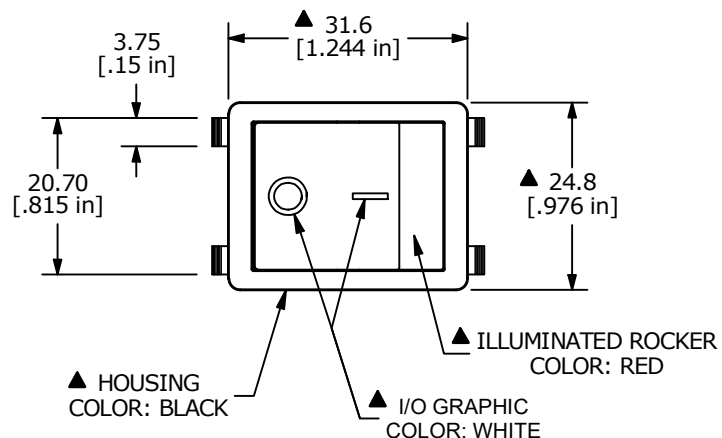
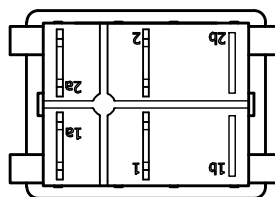
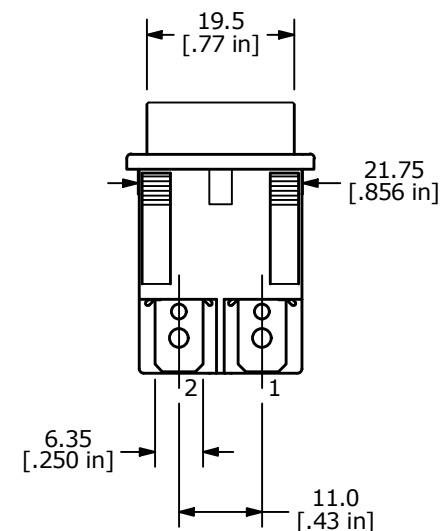
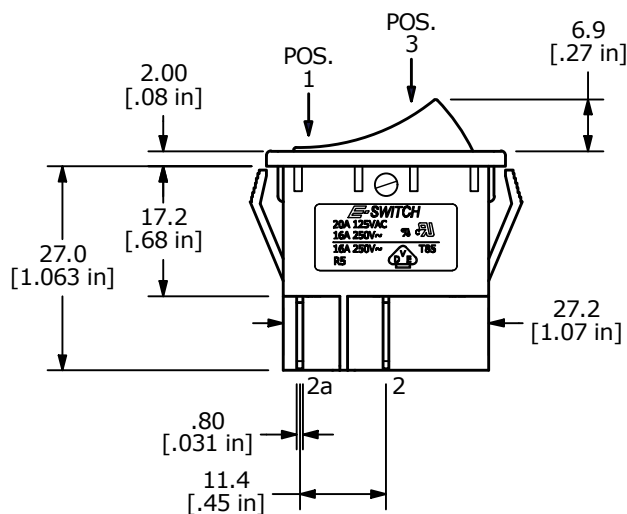
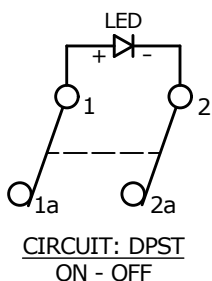


RECOMMENDED PANEL MOUNTING

| PANEL THICKNESS | X         |
|-----------------|-----------|
| 0.75-1.25       | 30.0-30.2 |
| 1.25-2.00       | 30.2-30.4 |
| 2.00-3.00       | 30.6-30.8 |



| SWITCH FUNCTION |        |           |
|-----------------|--------|-----------|
| POS. 1          | POS. 2 | POS. 3    |
|                 |        |           |
| OFF             | NONE   | ON        |
| OPEN            | N/A    | 1-1a,2-2a |



NOTES:

1. ALL DIMENSIONS IN MM [INCH]
2. GENERAL TOLERANCE: X.X = ±0.4  
X.XX = ±0.25
3. TERM. NUMBERS FOR REF. ONLY
4. RATING: 20A @ 125VAC 3/4HP UL  
16A @ 250VAC 1HP UL  
16A @ 250VAC 1HP VDE
5. ELECTRICAL LIFE: 10,000 CYCLES
6. MECHANICAL LIFE: 30,000 CYCLES
7. CONTACT RESISTANCE: <20 MILLI-OHMS INITIAL
8. DIELECTRIC STRENGTH: >1,500V AC 1MIN
9. INSULATION RESISTANCE: >1000MOHMS
10. OPERATING TEMP: TERMINAL SIDE: -20°C to 85°C  
ROCKER SIDE: -20°C to 55°C

- ▲ 11. LAMP: LED 12VDC
- ▲ 12. ▲ DENOTES CRITICAL PARAMETER.

| REV | ECO NO     | DESCRIPTION    | DATE     | BY | E-SWITCH®         |                |       | OBJECT ID   |       |
|-----|------------|----------------|----------|----|-------------------|----------------|-------|-------------|-------|
| G   | ECO-101418 | update housing | 11/17/22 | MW |                   |                |       | 000016443   |       |
|     |            |                |          |    | TITLE R5BBLKREDF3 |                |       |             |       |
|     |            |                |          |    | SCALE 1:1         | DATE 3/21/2011 | DR BA | DWG M050212 | REV G |