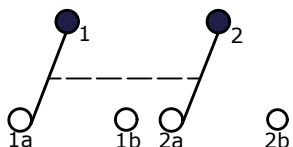


RECOMMENDED PANEL MOUNTING

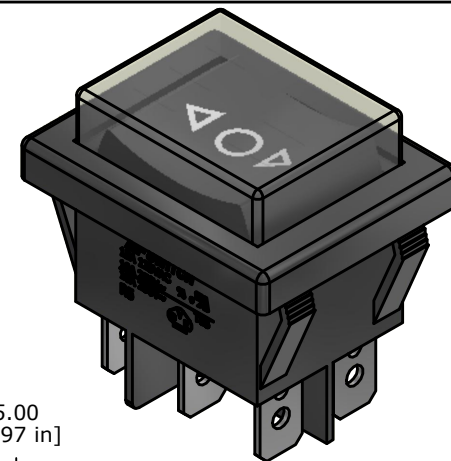
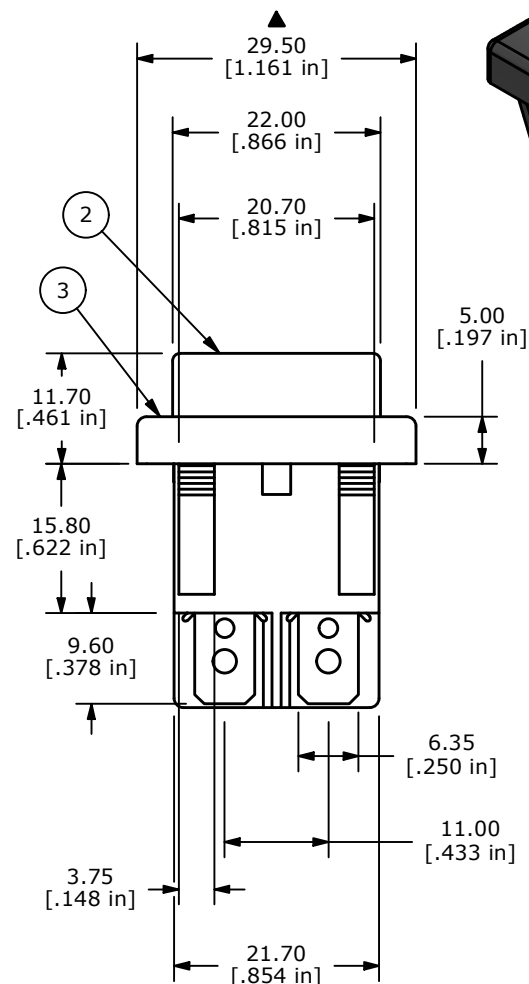
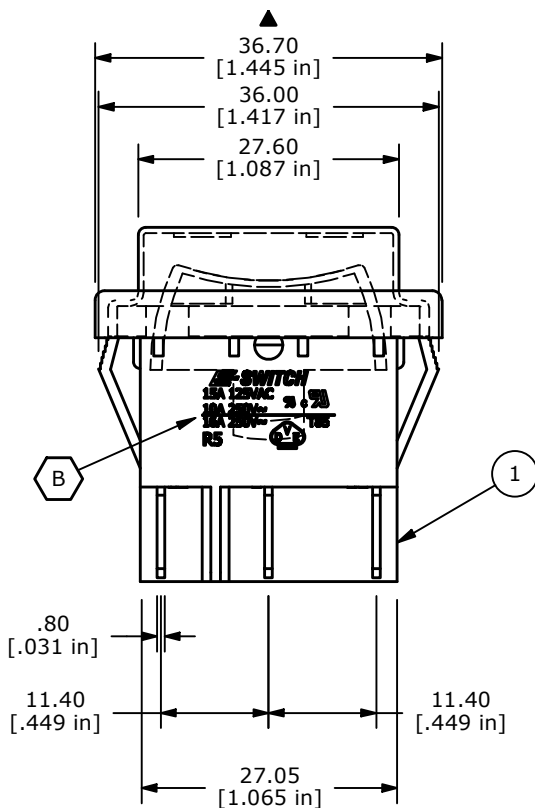
PANEL THICKNESS	X
0.75-1.25	30.0-30.2
1.25-2.00	30.2-30.4
2.00-3.00	30.6-30.8



CIRCUIT: DPDT  
ON-OFF-ON

NOTES:

1. ALL DIMENSIONS IN MM [INCH]
2. GENERAL TOLERANCE: X.X=±0.4  
X.XX=±0.25
3. TERM. NOS. FOR REF. ONLY
- ▲ 4. RATING: 10A @250VAC UL APPROVED  
15A @125VAC UL APPROVED  
16A @250VAC VDE APPROVED
5. ELECTRICAL LIFE: 10,000 CYCLES
6. MECHANICAL LIFE: 30,000 CYCLES
7. CONTACT RESISTANCE: <20 MILLI-OHMS INITIAL
8. DIELECTRIC STRENGTH: >1,500V AC 1MIN
9. INSULATION RESISTANCE: >1000MOHMS
10. OPERATING TEMP: TERMINAL SIDE: -20°C to 85°C  
ROCKER SIDE: -20°C to 55°C
11. ▲ DENOTES CRITICAL PARAMETER.
12. 2002/95/EC (ROHS) COMPLIANT



1	1	M050210	R5DBLKBLKHFO
2	1	M050900	R5 SEAL
3	1	M050901	R5 SEAL FRAME
ITEM	QTY	PART NUMBER	DESCRIPTION

B	20975	CORRECT RATING TEXT	1/18/13	EBP
A	15070	RELEASED FOR PRODUCTION	7/7/05	JB
REV	PCR NO	DESCRIPTION	DATE	BY

THE INFORMATION CONTAINED IN THIS DOCUMENT IS PROPRIETARY TO E-SWITCH AND IS NOT TO BE COPIED OR TRANSFERRED

**E-SWITCH®**

TITLE R5DBLKBLKHFO W/ SEAL AND SEAL FRAME				
SCALE 1:1	DATE 7/7/2005	DR JB	DWG XM0184P	REV B