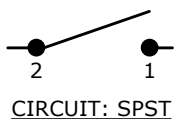


RECOMMENDED PANEL CUTOUT

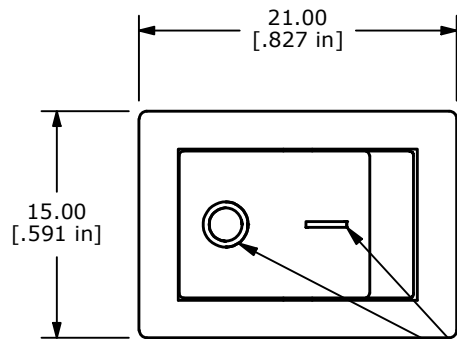
PANEL THICKNESS	(X) DIMENSION
0.75 - 1.25	19.2
1.25 - 2.00	19.4
2.00 - 3.00	19.6

SWITCH FUNCTION	
POS. 1	POS. 2
OFF	ON
OPEN	2-1

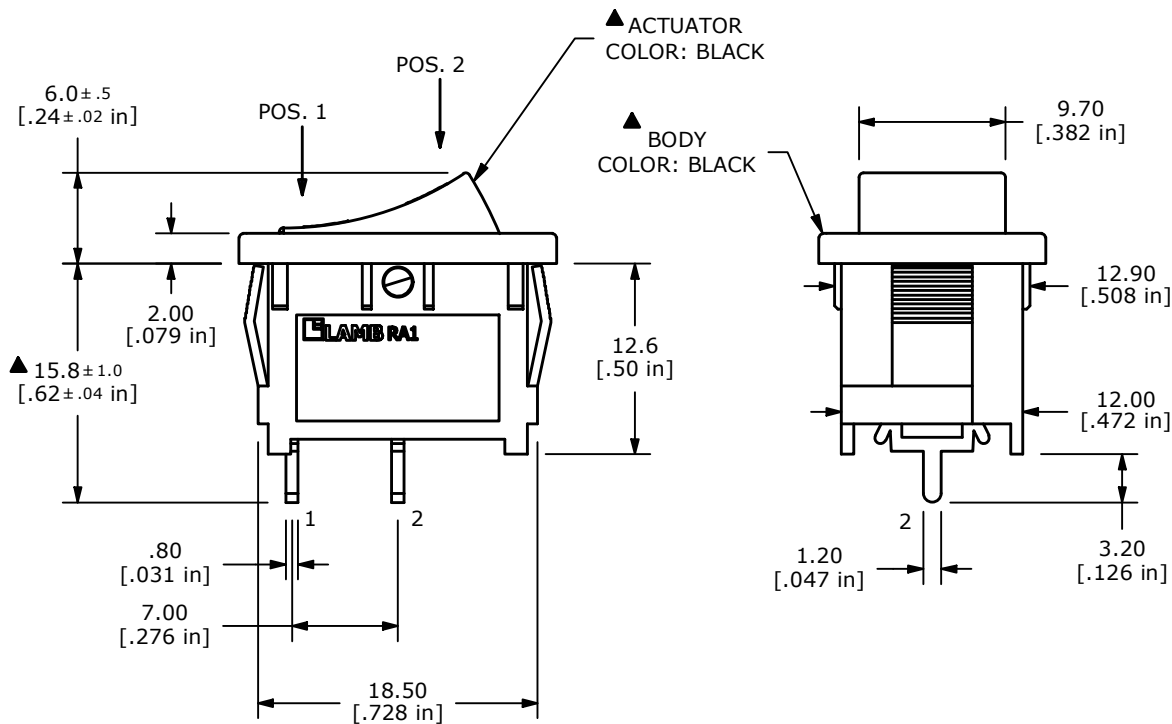
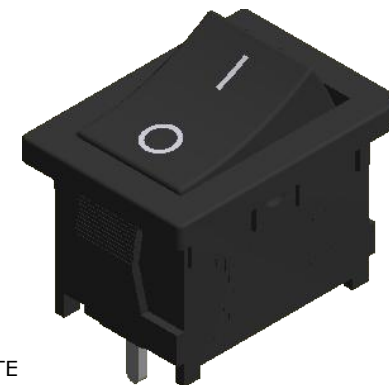


NOTE:

- DIMENSIONS IN MM [INCH]
- GENERAL TOLERANCE: X.X = ± 0.4
X.XX = ± 0.25
- TERMINAL NUMBERS FOR REF ONLY
- CONTACT MATERIAL: SILVER
- CONTACT RATINGS: 16A @ 125VAC [UR, cUR]
10A @ 250VAC [UR, cUR]
1/3HP 125/250VAC [UR, cUR]
- CONTACT RESISTANCE: 35mΩ MAX. @ 50VAC
- INSULATION RESISTANCE: 100MΩ MIN. @ 500VAC
- DIELECTRIC STRENGTH: 1,500VAC FOR 1 MINUTE
- ELECTRICAL LIFE: 6,000 CYCLES [UR, cUR]
- OPERATING TEMPERATURE: -20°C to 105°C [UR, cUR]
- ▲ DENOTES CRITICAL PARAMETER



▲ GRAPHIC
COLOR: WHITE



REV	ECO NO	DESCRIPTION	DATE	BY
D	ECO-101272	RA1 SERIES UPDATE	10/11/22	MR



OBJECT ID
000001406

TITLE RA131C1121				
SCALE 2:1	DATE 3/30/2010	DR CAB	DWG 38-RA131C1121	REV D