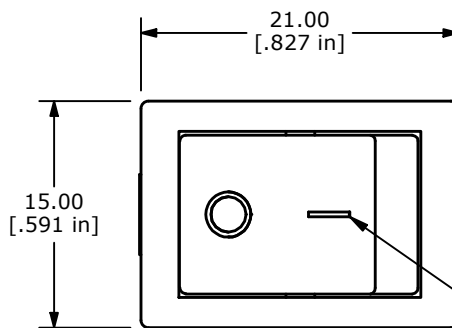


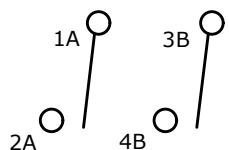
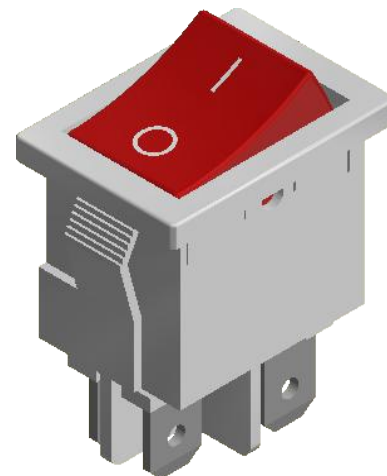
PANEL CUTOUT

PANEL THICKNESS	X
0.75 - 1.25	19.2
1.25 - 2.00	19.4
2.00 - 3.00	19.6

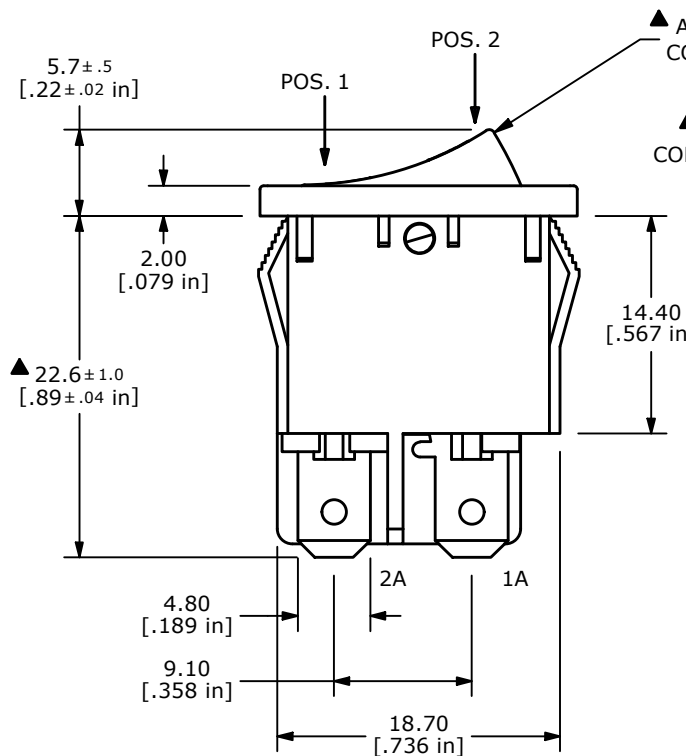
SWITCH FUNCTION	
POS. 1	POS. 2
OFF	ON
OPEN	1A-2A, 3B-4B



▲ GRAPHIC
COLOR: WHITE

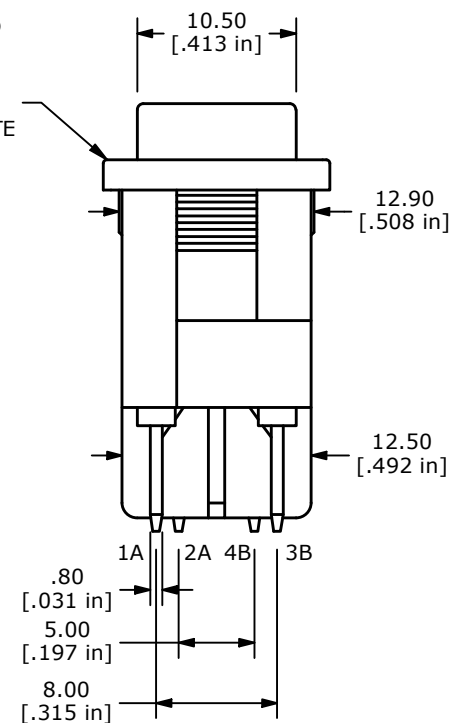


CIRCUIT: DPST
OFF - ON



▲ ACTUATOR
COLOR: RED

▲ BODY
COLOR: WHITE



NOTE:

1. DIMENSIONS IN MM [INCH]
2. GENERAL TOLERANCE: X.X = ± 0.4
X.XX = ± 0.25
3. TERMINAL NUMBERS FOR REF ONLY
4. CONTACT MATERIAL: SILVER
5. CONTACT RATINGS: 16A @ 125VAC [UR, cUR]
10A @ 250VAC [UR, cUR]
1/3HP 125/250VAC [UR, cUR]
6. CONTACT RESISTANCE: 35mΩ MAX. @ 50VAC
7. INSULATION RESISTANCE: 100MΩ MIN. @ 500VAC
8. DIELECTRIC STRENGTH: 1,500VAC FOR 1 MINUTE
9. ELECTRICAL LIFE: 6,000 CYCLES [UR, cUR]
10. OPERATING TEMPERATURE: -20°C TO 105°C [UR, cUR]
11. ▲ DENOTES CRITICAL PARAMETER

REV	ECO NO	DESCRIPTION	DATE	BY
C	ECO-101332	RA8 SERIES UPDATE	12/16/22	MR



OBJECT ID
000001452

TITLE RA812C2921		SCALE 2:1	DATE 7/21/2011	DR BGL	DWG 38-RA812C2921	REV C
---------------------	--	--------------	-------------------	-----------	----------------------	----------