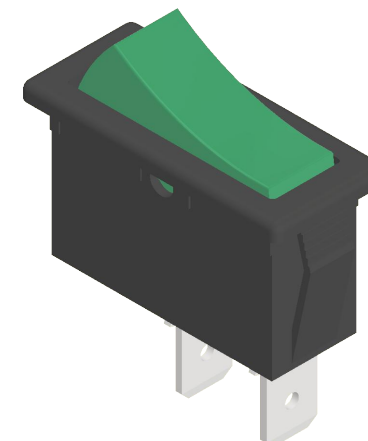
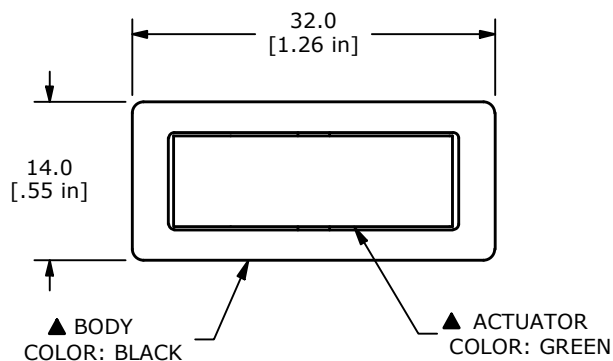
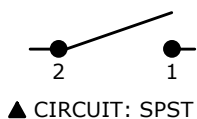


PANEL CUTOUT

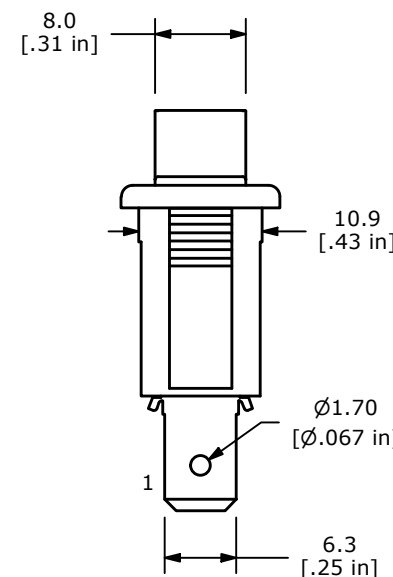
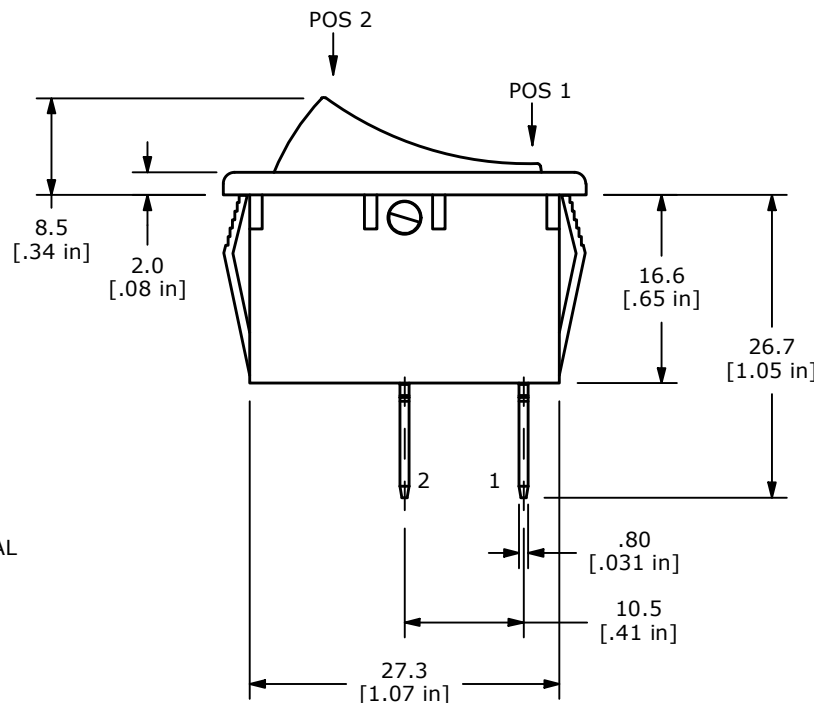
PANEL THICKNESS	(x)
0.75 - 1.25	30.0
1.25 - 2.00	30.4
2.00 - 3.00	30.7



SWITCH FUNCTION	
POS. 2	POS. 1
ON	OFF
2-1	NONE



▲ CIRCUIT: SPST



NOTE:

1. DIMENSIONS IN MM [INCH]
2. GENERAL TOLERANCE: X.X = ± 0.4
X.XX = ± 0.25
3. TERMINAL NUMBERS FOR REF ONLY
- ▲ 4. CONTACT MATERIAL: SILVER
- ▲ 5. CONTACT RATINGS:
ANSI/UL 61058-1
20A @ 125VAC T105 [cURus]
3/4HP T105[cURus]
6. CONTACT RESISTANCE: 35mΩ MAX. @ 50VAC INITIAL
7. INSULATION RESISTANCE: 100MΩ MIN. @ 500VDC
8. DIELECTRIC STRENGTH: 1,500VAC FOR 1 MINUTE
9. ELECTRICAL LIFE: 10,000 CYCLES [cURus]
10. OPERATING TEMPERATURE: -20°C to 105°C
- ▲ 11. ILLUMINATION VOLTAGE: NON-ILLUMINATED
12. ▲ DENOTES CRITICAL PARAMETER

REV	ECO NO	DESCRIPTION	DATE	BY				OBJECT ID	
B	ECO-103556	NOTE 5: 20A WAS 15A	07/28/25	JS				100130172	
A	ECO-103381	RELEASE	07/23/25	JS	TITLE RB141C1800				
THE INFORMATION CONTAINED IN THIS DOCUMENT IS PROPRIETARY TO E-SWITCH AND IS NOT TO BE COPIED OR TRANSFERRED					SCALE	DATE	DR	DWG	REV
					3:2	4/18/2025	JS	38-RB141C1800	B