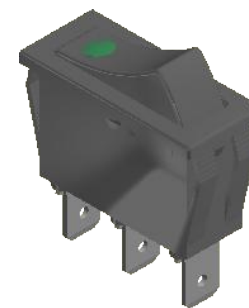
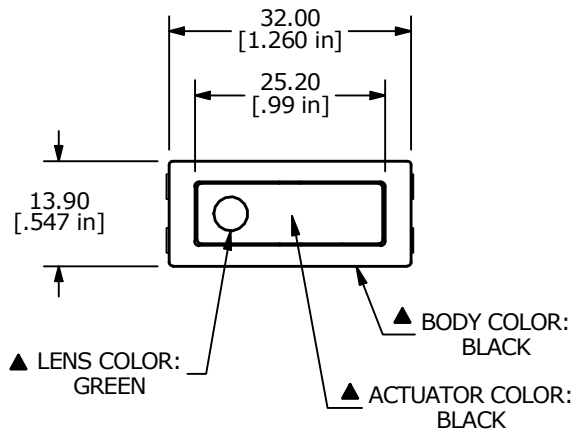
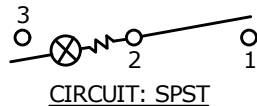


PANEL CUTOUT

PANEL THICKNESS	(x)	TOLERANCE
0.75 - 1.25	30.0	+/- 0.1

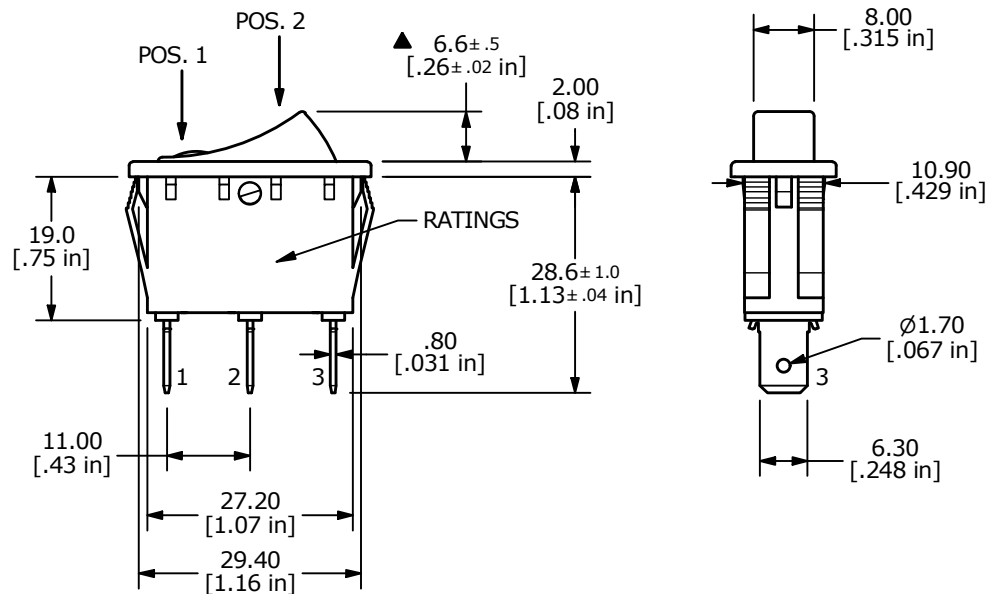


SWITCH FUNCTION	
POS. 1	POS. 2
OFF	ON
OPEN	2-1, 2-3



NOTE:

1. DIMENSIONS IN MM [INCH]
2. GENERAL TOLERANCE: X.X = ± 0.4  
X.XX = ± 0.25
3. TERMINAL NUMBERS FOR REF ONLY
4. CONTACT MATERIAL: SILVER
5. CONTACT RATINGS:  
ANSI/UL 1054:  
16A @ 125/250VAC [cURus]  
20A @ 250VAC [cURus]  
3/4HP 125/250VAC [cURus]
6. CONTACT RESISTANCE: 20mΩ MAX. INITIAL
7. INSULATION RESISTANCE: 100MΩ MIN. @ 500VDC
8. DIELECTRIC STRENGTH: 1,000VAC FOR 1 MINUTE
9. ELECTRICAL LIFE: 6,000 CYCLES [cURus]
10. OPERATING TEMPERATURE: 0°C to 65°C [cURus]
11. ▲ DENOTES CRITICAL PARAMETER
12. ILLUMINATION: LED LAMP
- ▲13. ILLUMINATION VOLTAGE: 24V



REV	ECO NO	DESCRIPTION	DATE	BY
B	ECO-100562	REMOVE VDE/ENEC/CSA, UPDATE RATINGS	12/30/21	JS



OBJECT ID  
000000280

TITLE RB141D1100-235		SCALE 1:1	DATE 4/11/2018	DR MW	DWG 14-RB141D1100235	REV B
-------------------------	--	--------------	-------------------	----------	-------------------------	----------