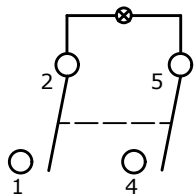
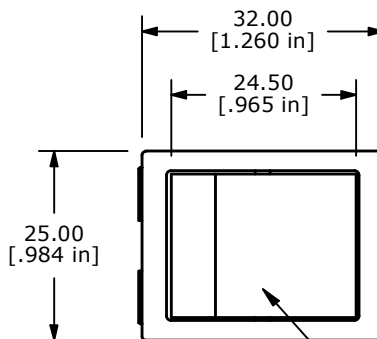


PANEL CUTOUT

PANEL THICKNESS	(x)
0.75 - 1.25	30.0
1.25 - 2.00	30.2
2.00 - 3.00	30.5



CIRCUIT: DPST
OFF - ON



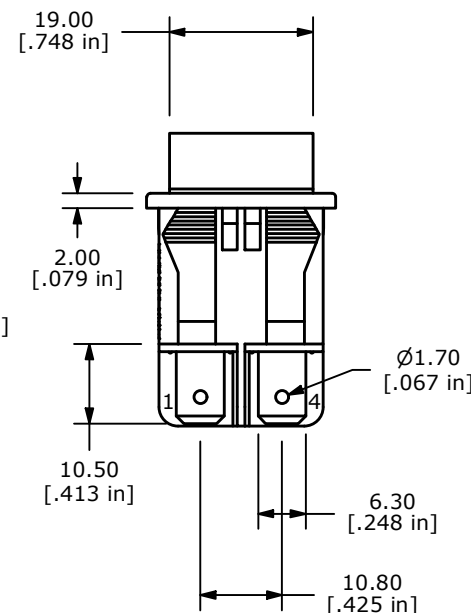
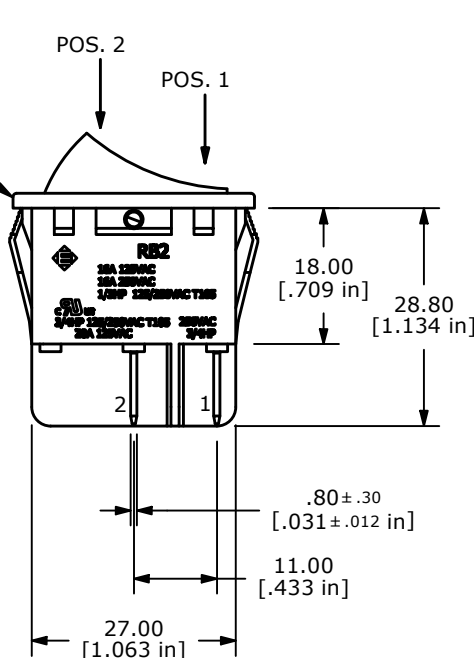
▲ FULL ILLUMINATION
AMBER

SWITCH FUNCTION	
POS. 1	POS. 2
OFF	ON
OPEN	2-1, 5-4

NOTE:

- DIMENSIONS IN MM [INCH]
- GENERAL TOLERANCE: X.X = ± 0.4
X.XX = ± 0.25
- TERMINAL NUMBERS FOR REF ONLY
- CONTACT MATERIAL: SILVER
- CONTACT RATINGS: 16A @ 125/250VAC [cURus]
20A @ 125/250VAC [cURus]
1/3HP 125/250VAC T105 [cURus]
3/4HP 125/250VAC T105 [cURus]
- CONTACT RESISTANCE: 20mΩ MAX. INITIAL
- INSULATION RESISTANCE: 100MΩ MIN. @ 500VDC
- DIELECTRIC STRENGTH: 1,000VAC FOR 1 MINUTE
- ELECTRICAL LIFE: 6,000 CYCLES [cURus]
- OPERATING TEMPERATURE: -20°C TO 55°C
- ▲ DENOTES CRITICAL PARAMETER
- ILLUMINATION: NEON LAMP
- ▲ ILLUMINATION VOLTAGE: 24V

▲ BODY COLOR:
BLACK



REV	ECO NO	DESCRIPTION	DATE	BY
A	ECO-100681	NEW RELEASE	02/01/22	MR



OBJECT ID
100120860

TITLE RB242D1000-125		SCALE 1:1	DATE 1/26/2022	DR MJR	DWG 14-RB242D1000125	REV A
-------------------------	--	--------------	-------------------	-----------	-------------------------	----------