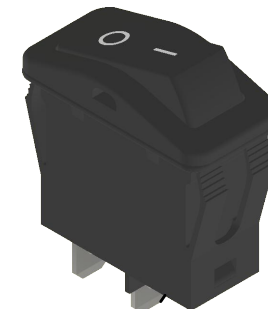
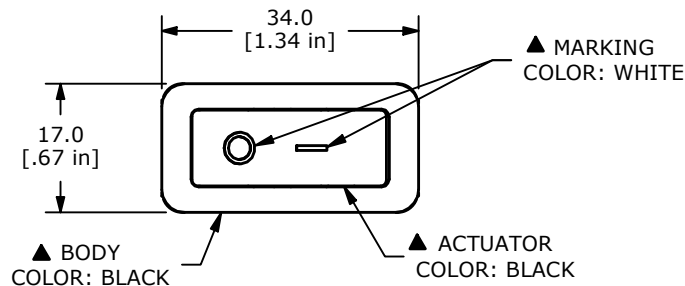
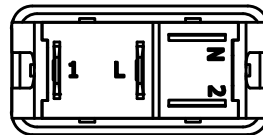
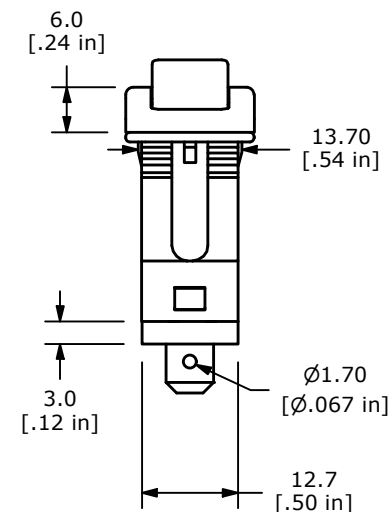
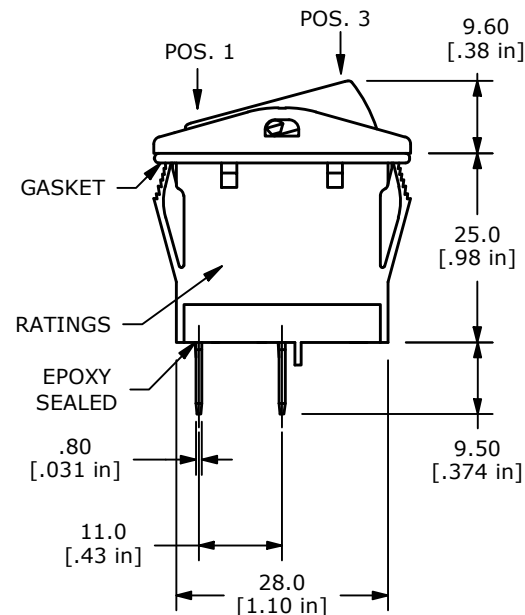
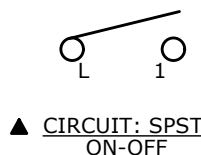


RECOMMENDED PANEL CUTOUT



SWITCH FUNCTION		
POS. 1	POS. 2	POS. 3
OFF	N/A	ON
OPEN	N/A	L-1



NOTE:

1. DIMENSIONS IN MM [INCH]
2. GENERAL TOLERANCE: X.X = ± 0.4
X.XX = ± 0.25
3. TERMINAL NUMBERS FOR REF ONLY
4. CONTACT MATERIAL: SILVER
- ▲ 5. CONTACT RATING:
ANSI/UL 61058-1
16(8)A @ 125/250VAC T55 [cURus] [ENEC-15]
6. CONTACT RESISTANCE: 20mΩ MAX. @ 50VAC INITIAL
7. INSULATION RESISTANCE: 100MΩ MIN. @ 500VDC
8. DIELECTRIC STRENGTH: 1,500VAC FOR 1 MINUTE
9. ELECTRICAL LIFE: 10,000 CYCLES
10. OPERATING TEMPERATURE: 0°C to 55°C
11. INGRESS PROTECTION: IP67
- ▲ 12. ILLUMINATION VOLTAGE: NON-ILLUMINATED
13. ▲ DENOTES CRITICAL PARAMETER

REV	ECO NO	DESCRIPTION	DATE	BY
A	ECO-102981	RELEASE	09/23/24	JS



OBJECT ID
100128401

TITLE RB341A1121		SCALE 1:1	DATE 9/13/2024	DR JS	DWG 14-RB341A1121	REV A
---------------------	--	--------------	-------------------	----------	----------------------	----------