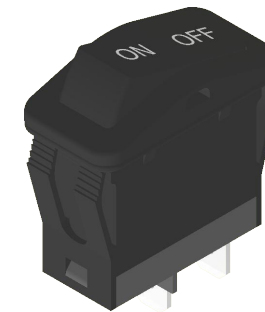
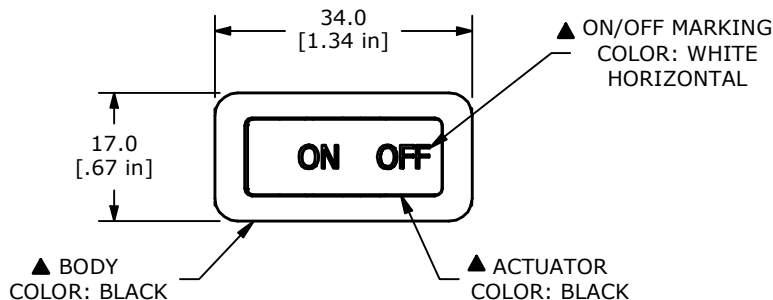
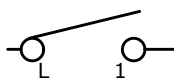


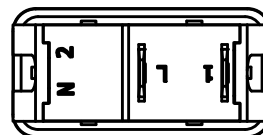
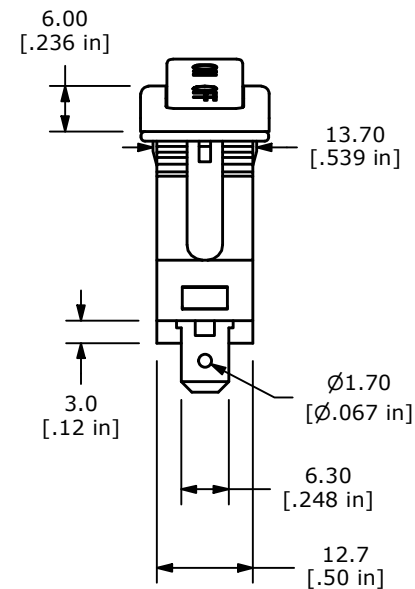
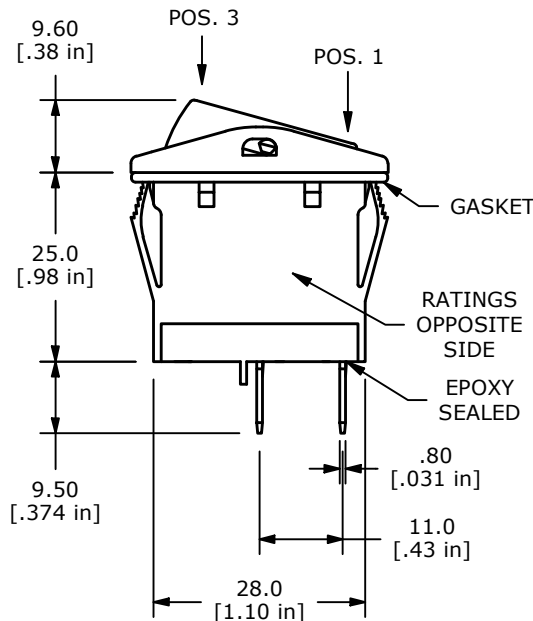
RECOMMENDED PANEL CUTOUT



SWITCH FUNCTION		
POS. 1	POS. 2	POS. 3
OFF	N/A	ON
OPEN	N/A	L-1



CIRCUIT: SPST ON-OFF



- NOTE:
- DIMENSIONS IN MM [INCH]
 - GENERAL TOLERANCE: X.X = ± 0.4
X.XX = ± 0.25
 - TERMINAL NUMBERS FOR REF ONLY
 - CONTACT MATERIAL: SILVER
 - CONTACT RATING:
ANSI/UL 61058-1
16(8)A @ 125/250VAC T55 [cURus] [ENEC-15]
 - CONTACT RESISTANCE: 20mΩ MAX. @ 50VAC INITIAL
 - INSULATION RESISTANCE: 100MΩ MIN. @ 500VDC
 - DIELECTRIC STRENGTH: 1,500VAC FOR 1 MINUTE
 - ELECTRICAL LIFE: 10,000 CYCLES
 - OPERATING TEMPERATURE: 0°C to 55°C
 - INGRESS PROTECTION: IP67
 - ILLUMINATION VOLTAGE: NON-ILLUMINATED
 - ▲ DENOTES CRITICAL PARAMETER

REV	ECO NO	DESCRIPTION	DATE	BY
A	ECO-103235	RELEASE	02/19/25	JS



OBJECT ID
100125221

TITLE RB341A1124				
SCALE 1:1	DATE 2/13/2025	DR JS	DWG 14-RB341A1124	REV A