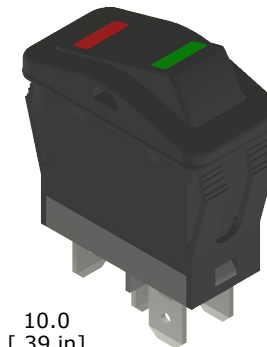
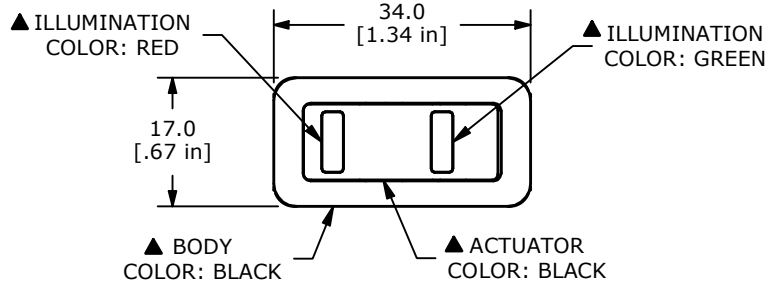
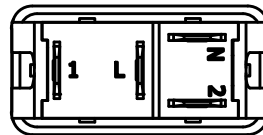
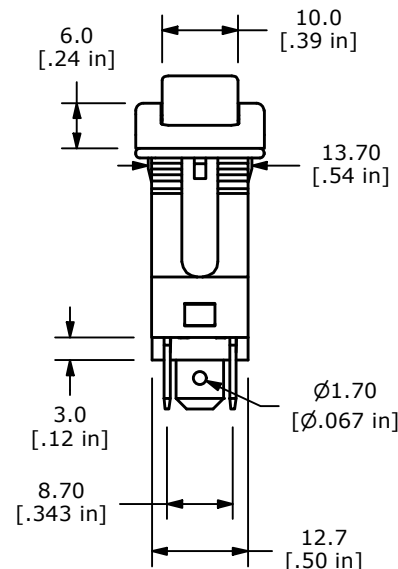
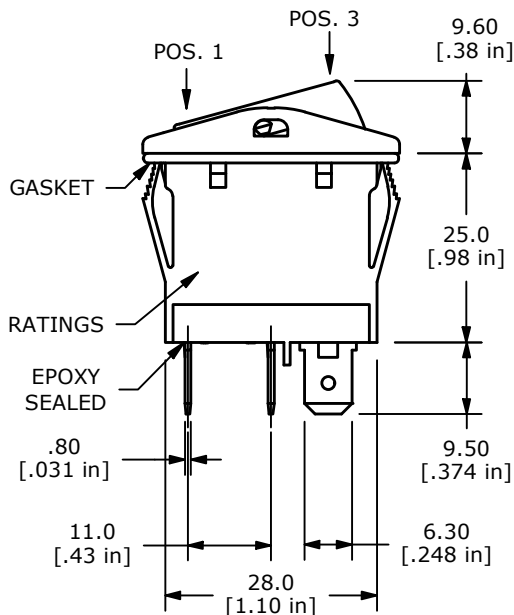
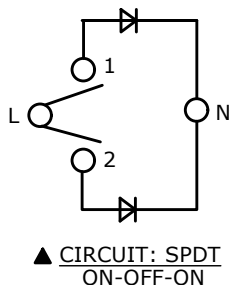


RECOMMENDED PANEL CUTOUT



SWITCH FUNCTION		
POS. 1	POS. 2	POS. 3
ON	OFF	ON
L-2	NONE	L-1

() - MOMENTARY



- NOTE:
- DIMENSIONS IN MM [INCH]
 - GENERAL TOLERANCE: X.X = ± 0.4
X.XX = ± 0.25
 - TERMINAL NUMBERS FOR REF ONLY
 - CONTACT MATERIAL: SILVER
 - CONTACT RATING:
ANSI/UL 61058-1
16(8)A @ 125/250VAC T55 [cURus] [ENEC-15]
 - CONTACT RESISTANCE: 20mΩ MAX. @ 50VAC INITIAL
 - INSULATION RESISTANCE: 100MΩ MIN. @ 500VDC
 - DIELECTRIC STRENGTH: 1,500VAC FOR 1 MINUTE
 - ELECTRICAL LIFE: 10,000 CYCLES
 - OPERATING TEMPERATURE: 0°C to 55°C
 - INGRESS PROTECTION: IP67
 - ILLUMINATION VOLTAGE: 125VAC
 - ▲ DENOTES CRITICAL PARAMETER

REV	ECO NO	DESCRIPTION	DATE	BY	E-SWITCH®			OBJECT ID	
B	ECO-102050	TITLE UPDATE	07/13/23	JS				100124003	
A	ECO-101784	RELEASE	04/25/23	JS	TITLE RB343A1100-136				
THE INFORMATION CONTAINED IN THIS DOCUMENT IS PROPRIETARY TO E-SWITCH AND IS NOT TO BE COPIED OR TRANSFERRED					SCALE	DATE	DR	DWG	REV
					1:1	3/28/2023	JS	14-RB343A1100136	B