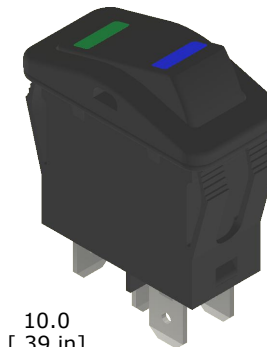
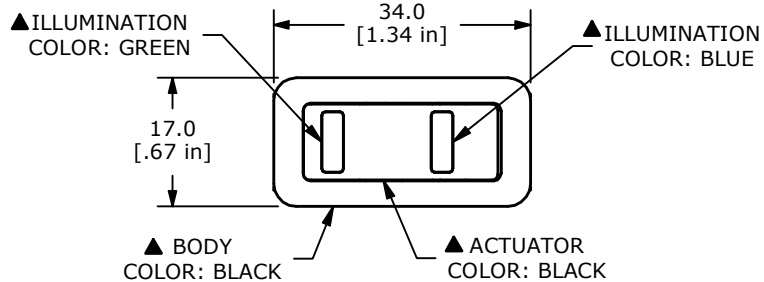
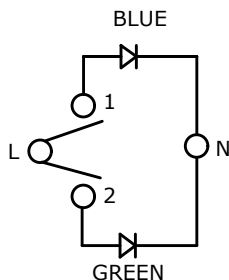


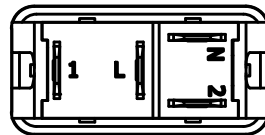
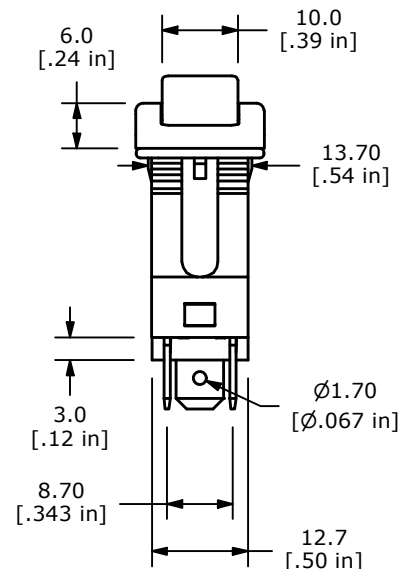
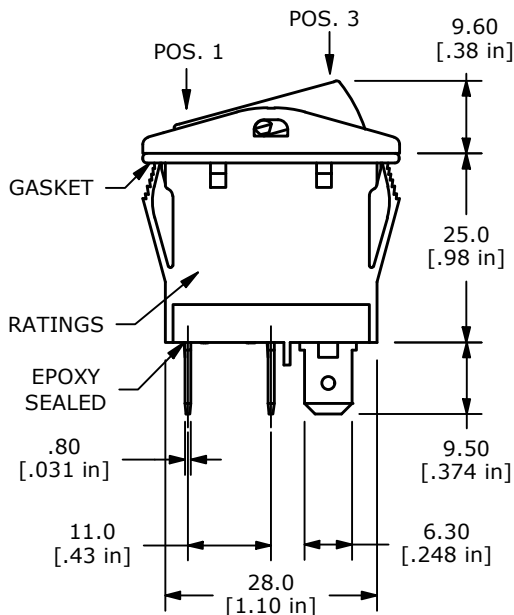
RECOMMENDED PANEL CUTOUT



SWITCH FUNCTION		
POS. 1	POS. 2	POS. 3
ON	OFF	ON
L-2	NONE	L-1



▲ **CIRCUIT: SPDT ON-OFF-ON**



- NOTE:
- DIMENSIONS IN MM [INCH]
 - GENERAL TOLERANCE: X.X = ± 0.4
X.XX = ± 0.25
 - TERMINAL NUMBERS FOR REF ONLY
 - CONTACT MATERIAL: SILVER
 - CONTACT RATING:
ANSI/UL 61058-1
25(8)A, 125/250VAC T55 [cURus] [ENEC-15]
 - CONTACT RESISTANCE: 20mΩ MAX. @ 50VAC INITIAL
 - INSULATION RESISTANCE: 100MΩ MIN. @ 500VDC
 - DIELECTRIC STRENGTH: 1,500VAC FOR 1 MINUTE
 - ELECTRICAL LIFE: 10,000 CYCLES
 - OPERATING TEMPERATURE: 0°C to 55°C
 - INGRESS PROTECTION: IP67
 - ILLUMINATION VOLTAGE: 125VAC
 - ▲ DENOTES CRITICAL PARAMETER

REV	ECO NO	DESCRIPTION	DATE	BY	E-SWITCH®			OBJECT ID	
B	ECO-103112	UPDATE CIRCUIT DIAGRAM	12/11/24	JS				100128489	
					TITLE RB343C1100-346				
					SCALE 1:1	DATE 9/30/2024	DR JS	DWG 14-RB343C1100346	REV B