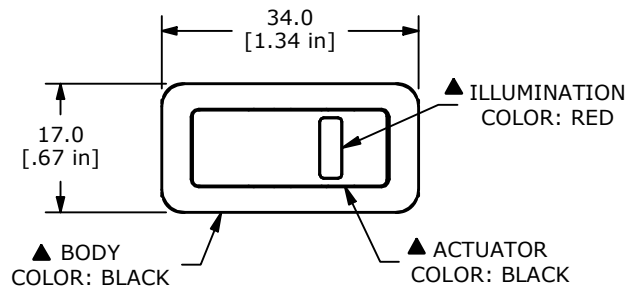
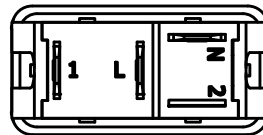
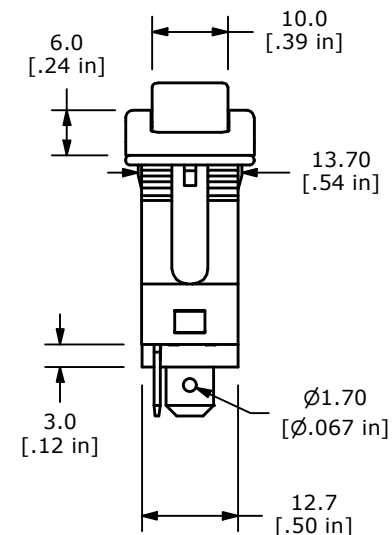
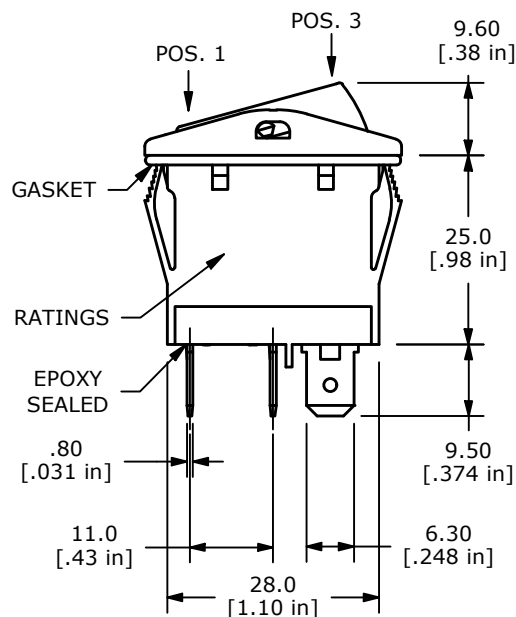
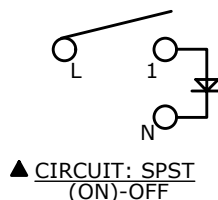


RECOMMENDED PANEL CUTOUT



SWITCH FUNCTION		
POS. 1	POS. 2	POS. 3
OFF	N/A	(ON)
OPEN	N/A	L-1

( ) - MOMENTARY



NOTE:

1. DIMENSIONS IN MM [INCH]
2. GENERAL TOLERANCE: X.X = ± 0.4  
X.XX = ± 0.25
3. TERMINAL NUMBERS FOR REF ONLY
4. CONTACT MATERIAL: SILVER
- ▲ 5. CONTACT RATING:  
ANSI/UL 61058-1  
16(8)A @ 125/250VAC T55 [cURus] [ENEC-15]
6. CONTACT RESISTANCE: 20mΩ MAX. @ 50VAC INITIAL
7. INSULATION RESISTANCE: 100MΩ MIN. @ 500VDC
8. DIELECTRIC STRENGTH: 1,500VAC FOR 1 MINUTE
9. ELECTRICAL LIFE: 10,000 CYCLES
10. OPERATING TEMPERATURE: 0°C to 55°C
11. INGRESS PROTECTION: IP67
- ▲ 12. ILLUMINATION VOLTAGE: 125VAC
13. ▲ DENOTES CRITICAL PARAMETER

REV	ECO NO	DESCRIPTION	DATE	BY	E-SWITCH®			OBJECT ID	
B	ECO-102050	TITLE UPDATE	07/13/23	JS				100123997	
A	ECO-101784	RELEASE	04/25/23	JS	TITLE RB344A1100-16				
					SCALE	DATE	DR	DWG	REV
					1:1	3/28/2023	JS	14-RB344A110016	B

THE INFORMATION CONTAINED IN THIS DOCUMENT IS PROPRIETARY TO E-SWITCH AND IS NOT TO BE COPIED OR TRANSFERRED