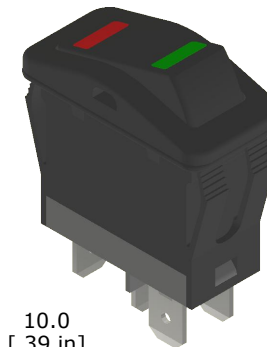
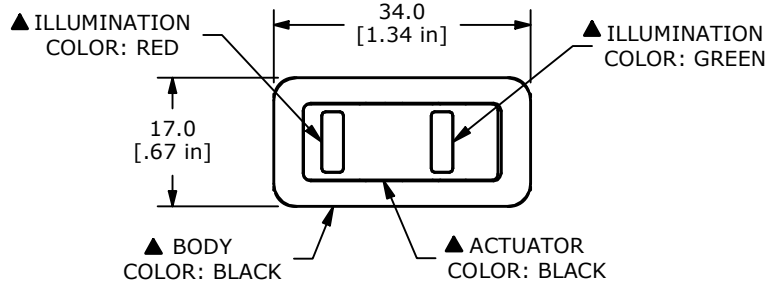
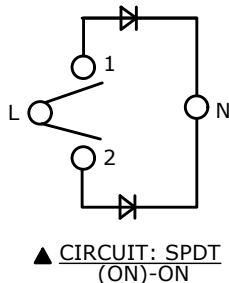


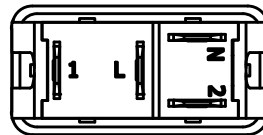
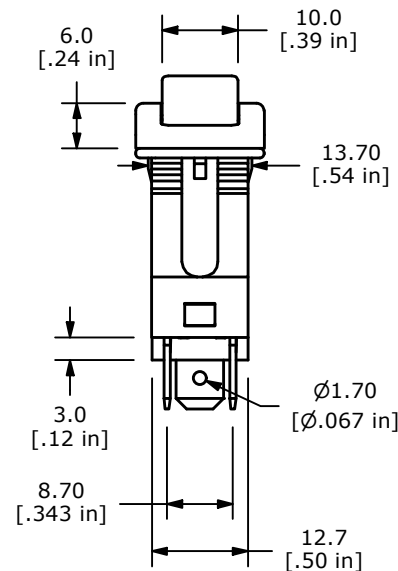
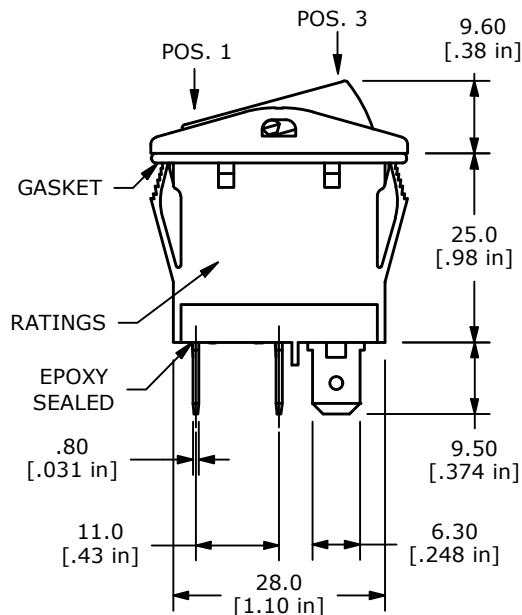
RECOMMENDED PANEL CUTOUT



SWITCH FUNCTION		
POS. 1	POS. 2	POS. 3
ON	N/A	(ON)
L-2	NONE	L-1



( ) - MOMENTARY



NOTE:

- DIMENSIONS IN MM [INCH]
- GENERAL TOLERANCE: X.X = ± 0.4  
X.XX = ± 0.25
- TERMINAL NUMBERS FOR REF ONLY
- CONTACT MATERIAL: SILVER
- CONTACT RATING:  
ANSI/UL 61058-1  
16(8)A @ 125/250VAC T55 [cURus] [ENEC-15]
- CONTACT RESISTANCE: 20mΩ MAX. @ 50VAC INITIAL
- INSULATION RESISTANCE: 100MΩ MIN. @ 500VDC
- DIELECTRIC STRENGTH: 1,500VAC FOR 1 MINUTE
- ELECTRICAL LIFE: 10,000 CYCLES
- OPERATING TEMPERATURE: 0°C to 55°C
- INGRESS PROTECTION: IP67
- ILLUMINATION VOLTAGE: 125VAC
- ▲ DENOTES CRITICAL PARAMETER

REV	ECO NO	DESCRIPTION	DATE	BY
B	ECO-102050	TITLE UPDATE	07/13/23	JS
A	ECO-101784	RELEASE	04/25/23	JS



OBJECT ID  
100124011

TITLE RB345A1100-136		SCALE 1:1	DATE 3/28/2023	DR JS	DWG 14-RB345A1100136	REV B
-------------------------	--	--------------	-------------------	----------	-------------------------	----------