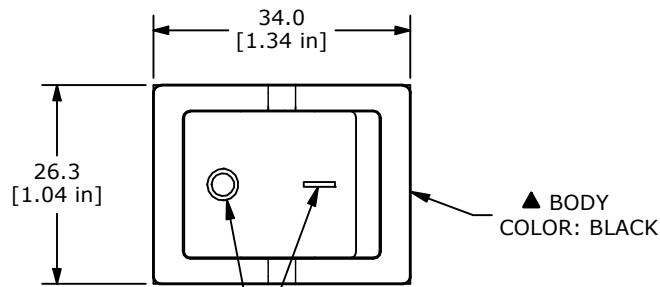


PANEL CUTOUT



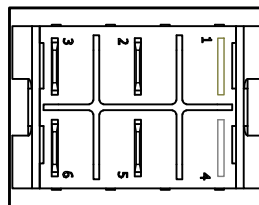
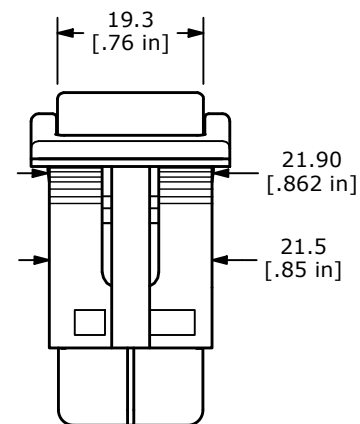
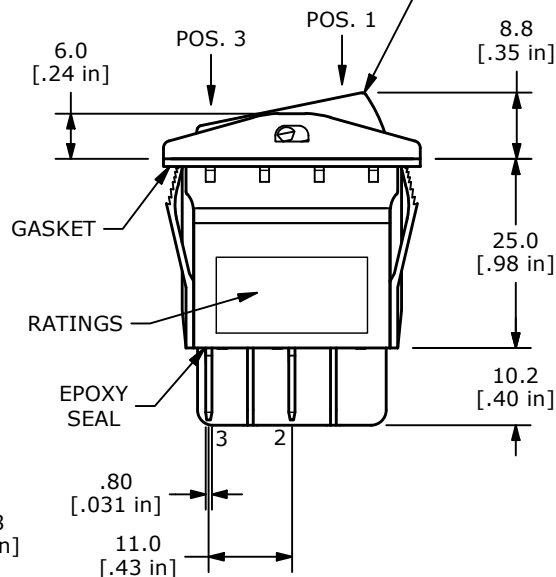
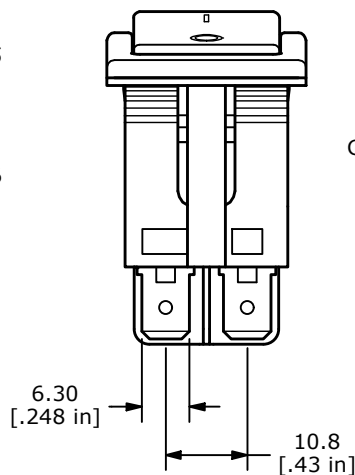
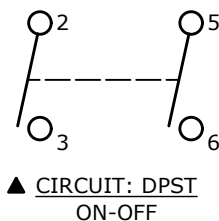
▲ BODY COLOR: BLACK



▲ I/O MARKING VERTICAL COLOR: WHITE

▲ ACTUATOR COLOR: BLACK

▲ SWITCH FUNCTION		
POS. 1	POS. 2	POS. 3
ON	NONE	OFF
5-6, 2-3	N/A	OPEN



- NOTE:
- DIMENSIONS IN MM [INCH]
  - GENERAL TOLERANCE: X.X = ± 0.4  
X.XX = ± 0.25
  - TERMINAL NUMBERS FOR REF ONLY
  - CONTACT MATERIAL: SILVER
  - CONTACT RATINGS:  
ANSI/UL 61058-1  
16(8)A @ 125/250VAC T55 [cURus] [ENEC15]
  - CONTACT RESISTANCE: 20mΩ MAX. @ 50VAC INITIAL
  - INSULATION RESISTANCE: 100MΩ MIN. @ 500VDC
  - DIELECTRIC STRENGTH: 1,000VAC FOR 1 MINUTE
  - ELECTRICAL LIFE: 10,000 CYCLES [cURus]
  - OPERATING TEMPERATURE: 0°C to 55°C [cURus]
  - INGRESS PROTECTION: IP67
  - ILLUMINATION VOLTAGE: NON-ILLUMINATED
  - ▲ DENOTES CRITICAL PARAMETER

REV	ECO NO	DESCRIPTION	DATE	BY
A	ECO-103519	Release	07/10/25	MW



OBJECT ID  
100130591

TITLE RB541A1121				
SCALE 1:1	DATE 7/8/2025	DR MW	DWG 14-RB541A1121	REV A