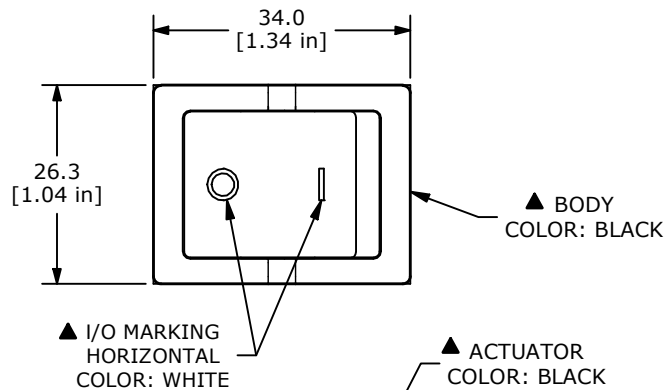
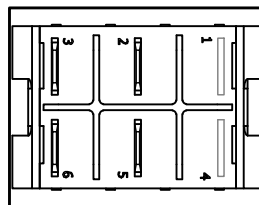
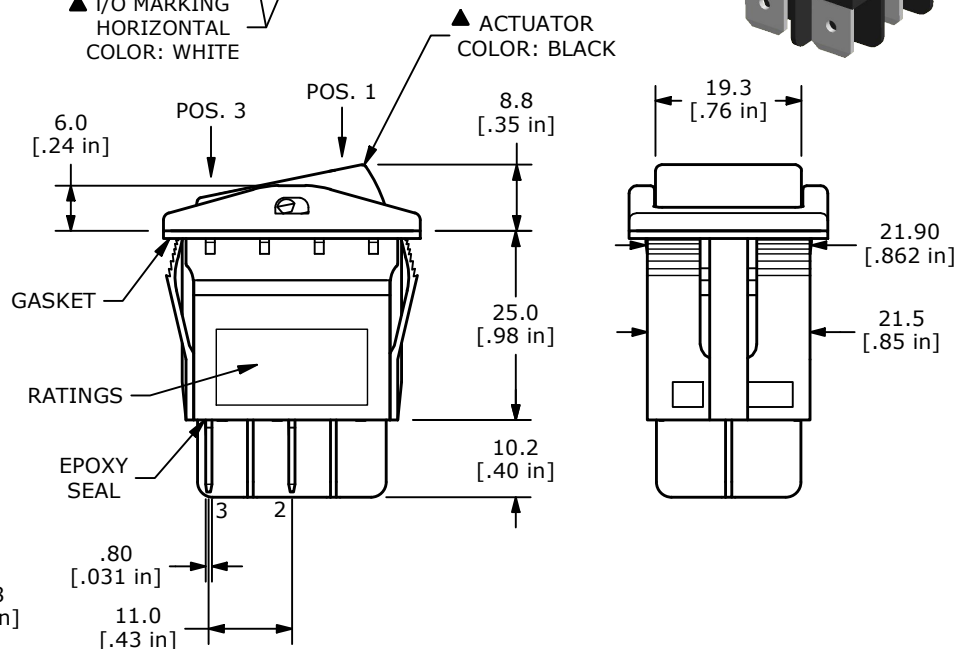
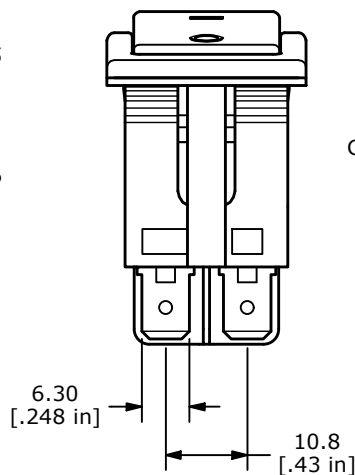
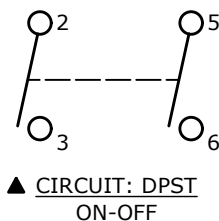


PANEL CUTOUT



▲ SWITCH FUNCTION		
POS. 1	POS. 2	POS. 3
ON	NONE	OFF
5-6, 2-3	N/A	OPEN



- NOTE:
- DIMENSIONS IN MM [INCH]
  - GENERAL TOLERANCE: X.X = ± 0.4  
X.XX = ± 0.25
  - TERMINAL NUMBERS FOR REF ONLY
  - CONTACT MATERIAL: SILVER
  - CONTACT RATINGS:  
ANSI/UL 61058-1  
16(8)A @ 125/250VAC T55 [cURus] [ENEC15]
  - CONTACT RESISTANCE: 20mΩ MAX. @ 50VAC INITIAL
  - INSULATION RESISTANCE: 100MΩ MIN. @ 500VDC
  - DIELECTRIC STRENGTH: 1,000VAC FOR 1 MINUTE
  - ELECTRICAL LIFE: 10,000 CYCLES [cURus]
  - OPERATING TEMPERATURE: 0°C to 55°C [cURus]
  - INGRESS PROTECTION: IP67
  - ILLUMINATION VOLTAGE: NON-ILLUMINATED
  - ▲ DENOTES CRITICAL PARAMETER

REV	ECO NO	DESCRIPTION	DATE	BY	E-SWITCH®				OBJECT ID
A	ECO-103520	Release	07/10/25	MW	TITLE RB541A112R				100130596
THE INFORMATION CONTAINED IN THIS DOCUMENT IS PROPRIETARY TO E-SWITCH AND IS NOT TO BE COPIED OR TRANSFERRED									SCALE
					1:1	7/8/2025	MW	14-RB541A112R	A