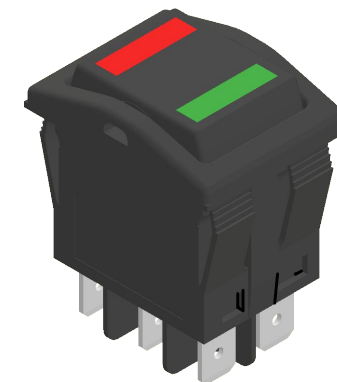
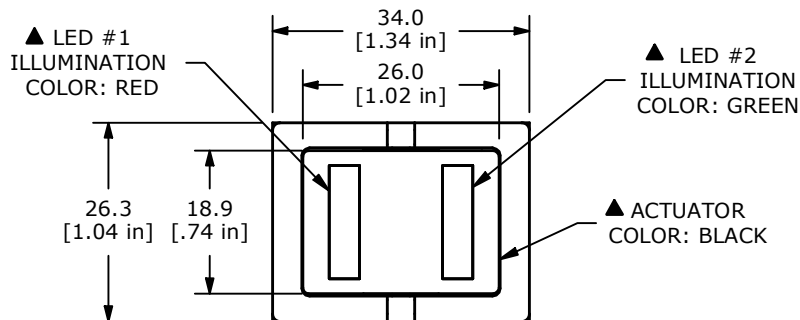
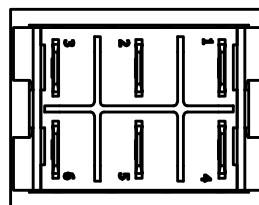
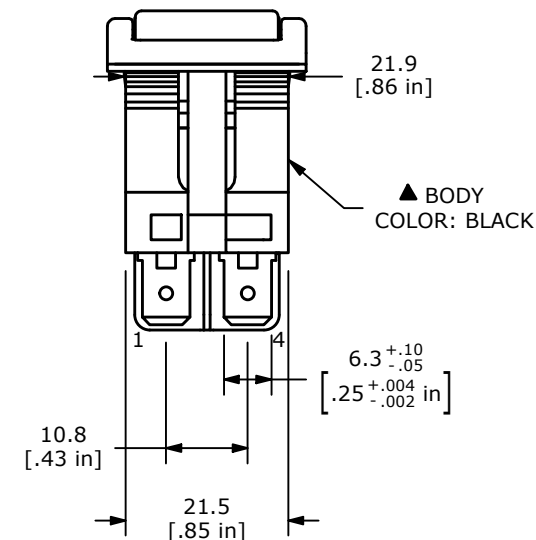
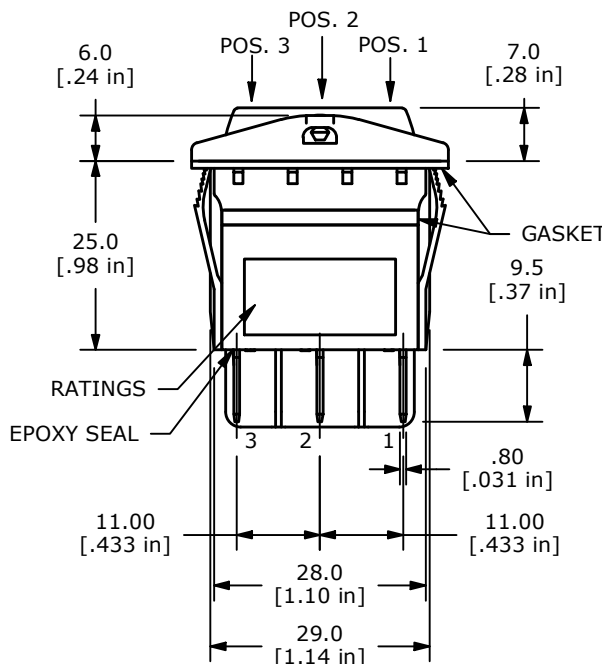
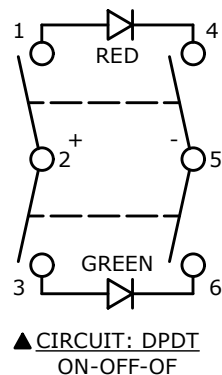


PANEL CUTOUT



SWITCH FUNCTION		
POS. 1	POS. 2	POS. 3
ON	OFF	ON
2-3, 5-6	OPEN	1-2, 4-5



- NOTE:
- DIMENSIONS IN MM [INCH]
  - GENERAL TOLERANCE: X.X = ± 0.4  
X.XX = ± 0.25
  - TERMINAL NUMBERS FOR REF ONLY
  - CONTACT MATERIAL: SILVER
  - CONTACT RATINGS:  
ANSI/UL 61058-1  
16(8)A @ 125/250VAC T55 [cURus] [ENEC-15]
  - CONTACT RESISTANCE: 20mΩ MAX. @ 50VAC INITIAL
  - INSULATION RESISTANCE: 100MΩ MIN. @ 500VDC
  - DIELECTRIC STRENGTH: 1,000VAC FOR 1 MINUTE
  - ELECTRICAL LIFE: 10,000 CYCLES
  - OPERATING TEMPERATURE: 0°C to 55°C
  - INGRESS PROTECTION: IP67
  - ILLUMINATION VOLTAGE: 125VAC
  - ▲ DENOTES CRITICAL PARAMETER

REV	ECO NO	DESCRIPTION	DATE	BY	E-SWITCH®				OBJECT ID
B	ECO-102208	UPDATED CIRCUIT SCHEMATIC	09/07/23	MR	TITLE RB543A1100-136				100124435
THE INFORMATION CONTAINED IN THIS DOCUMENT IS PROPRIETARY TO E-SWITCH AND IS NOT TO BE COPIED OR TRANSFERRED					SCALE	DATE	DR	DWG	REV
					1:1	5/4/2023	JS	14-RB543A1100136	B