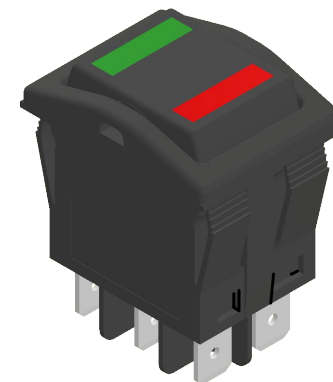
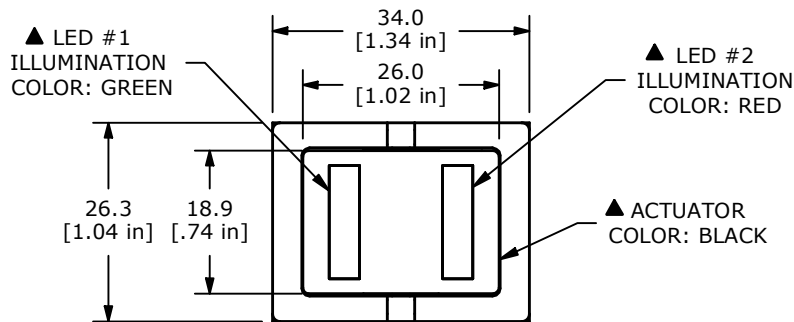
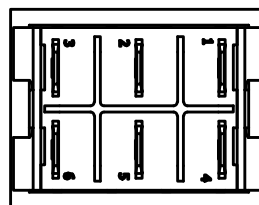
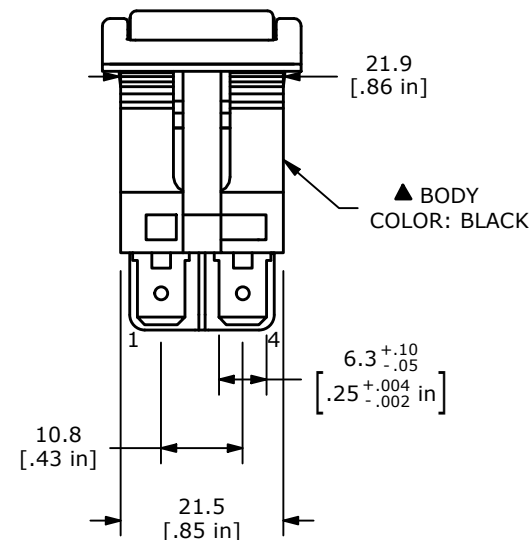
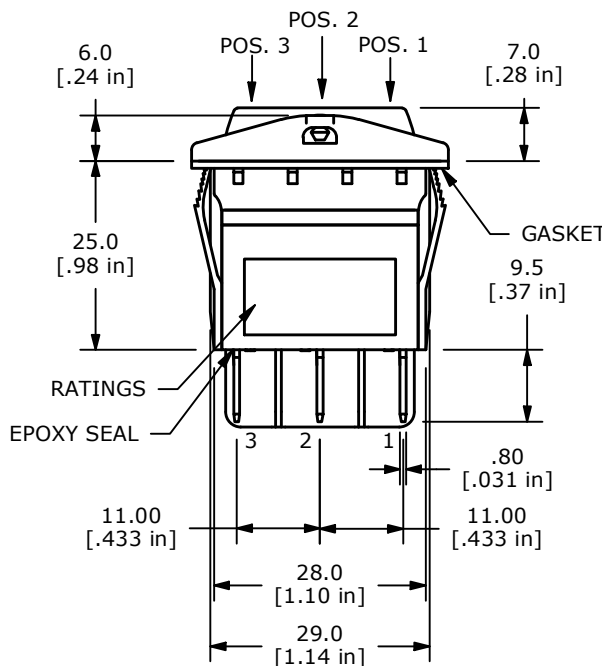
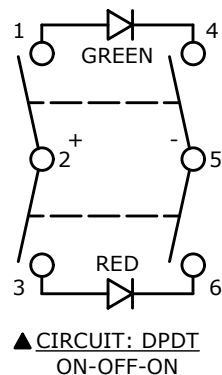


PANEL CUTOUT



SWITCH FUNCTION		
POS. 1	POS. 2	POS. 3
ON	OFF	ON
2-3, 5-6	OPEN	2-1, 5-4



- NOTE:
- DIMENSIONS IN MM [INCH]
  - GENERAL TOLERANCE: X.X = ± 0.4  
X.XX = ± 0.25
  - TERMINAL NUMBERS FOR REF ONLY
  - CONTACT MATERIAL: SILVER
  - CONTACT RATINGS:  
ANSI/UL 61058-1  
16A @ 6-48VDC T55 [cURus] [ENEC-15]
  - CONTACT RESISTANCE: 20mΩ MAX. @ 50VAC INITIAL
  - INSULATION RESISTANCE: 100MΩ MIN. @ 500VDC
  - DIELECTRIC STRENGTH: 1,000VAC FOR 1 MINUTE
  - ELECTRICAL LIFE: 10,000 CYCLES
  - OPERATING TEMPERATURE: 0°C to 55°C
  - INGRESS PROTECTION: IP67
  - ILLUMINATION VOLTAGE: 24VAC
  - ▲ DENOTES CRITICAL PARAMETER

REV	ECO NO	DESCRIPTION	DATE	BY
A	ECO-103277	RELEASE	03/13/25	JS



OBJECT ID  
100129816

TITLE RB543D1100-315				
SCALE 1:1	DATE 3/5/2025	DR JS	DWG 14-RB543D1100315	REV A