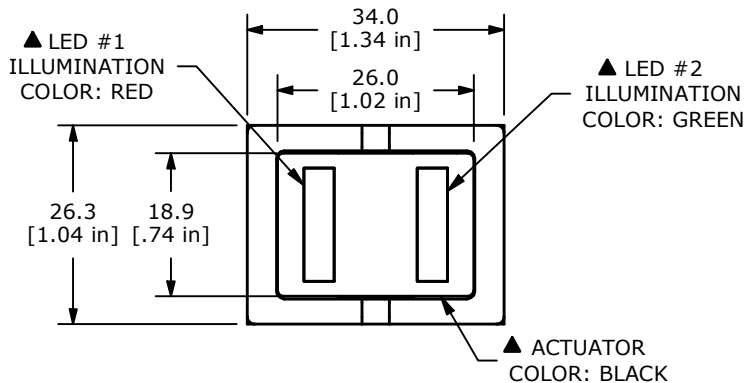
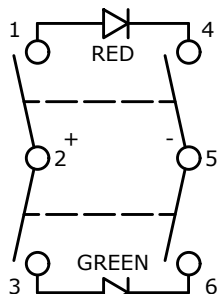


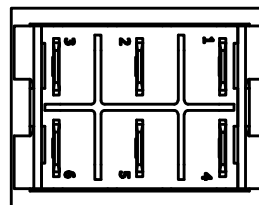
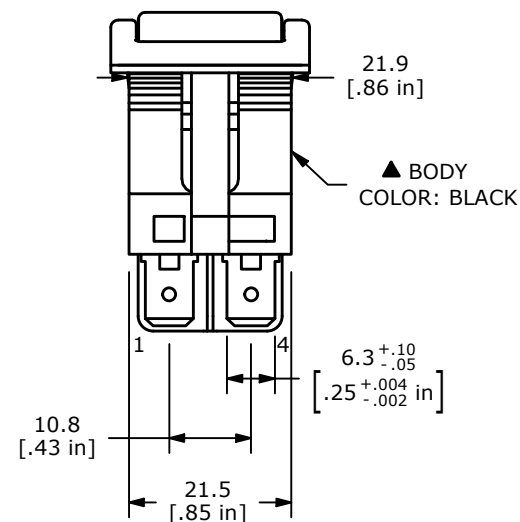
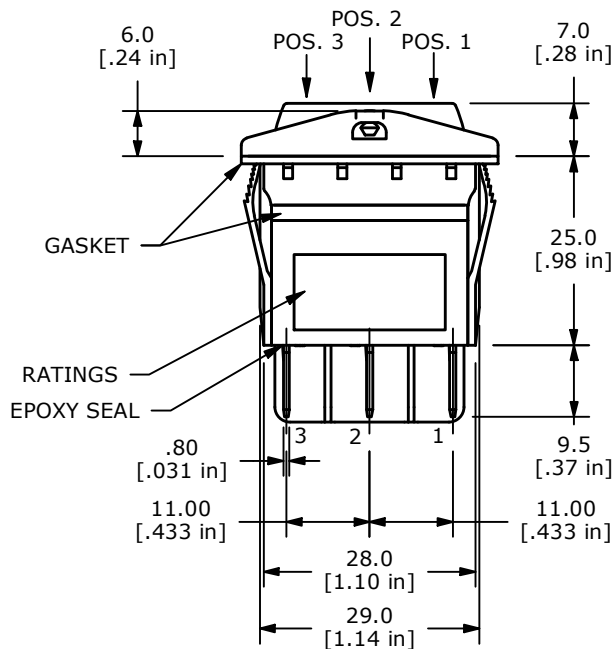
PANEL CUTOUT



SWITCH FUNCTION		
POS. 1	POS. 2	POS. 3
(ON)	OFF	(ON)
2-3, 5-6	OPEN	1-2, 4-5



▲ CIRCUIT: DPDT (ON)-OFF-(ON)



- NOTE:
- DIMENSIONS IN MM [INCH]
  - GENERAL TOLERANCE: X.X = ± 0.4  
X.XX = ± 0.25
  - TERMINAL NUMBERS FOR REF ONLY
  - CONTACT MATERIAL: SILVER
  - CONTACT RATINGS:  
ANSI/UL 61058-1  
16(8)A @ 125/250VAC T55 [cURus] [ENEC-15]
  - CONTACT RESISTANCE: 20mΩ MAX. @ 50VAC INITIAL
  - INSULATION RESISTANCE: 100MΩ MIN. @ 500VDC
  - DIELECTRIC STRENGTH: 1,000VAC FOR 1 MINUTE
  - ELECTRICAL LIFE: 10,000 CYCLES
  - OPERATING TEMPERATURE: 0°C to 55°C
  - INGRESS PROTECTION: IP67
  - ILLUMINATION VOLTAGE: 125VAC
  - ▲ DENOTES CRITICAL PARAMETER

REV	ECO NO	DESCRIPTION	DATE	BY
B	ECO-102208	UPDATED CIRCUIT SCHEMATIC	09/07/23	MR
A	ECO-101941	RELEASE	08/07/23	JS



OBJECT ID  
100124282

TITLE RB546A1100-136		SCALE 1:1	DATE 5/11/2023	DR JS	DWG 14-RB546A1100136	REV B
-------------------------	--	--------------	-------------------	----------	-------------------------	----------