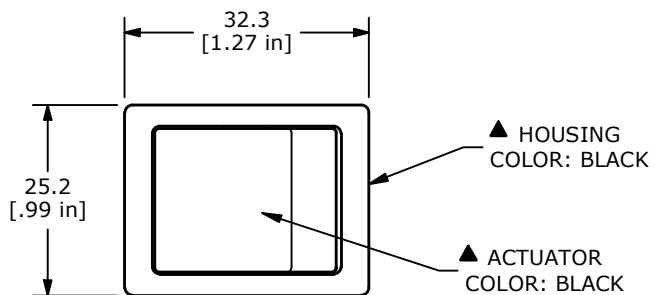
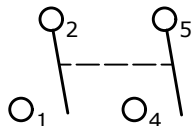


RECOMMENDED PANEL MOUNTING

PANEL THICKNESS	X
1.2-1.8	29.9/30.0
1.8-2.4	30.3/30.4
2.4-3.0	30.7/30.8



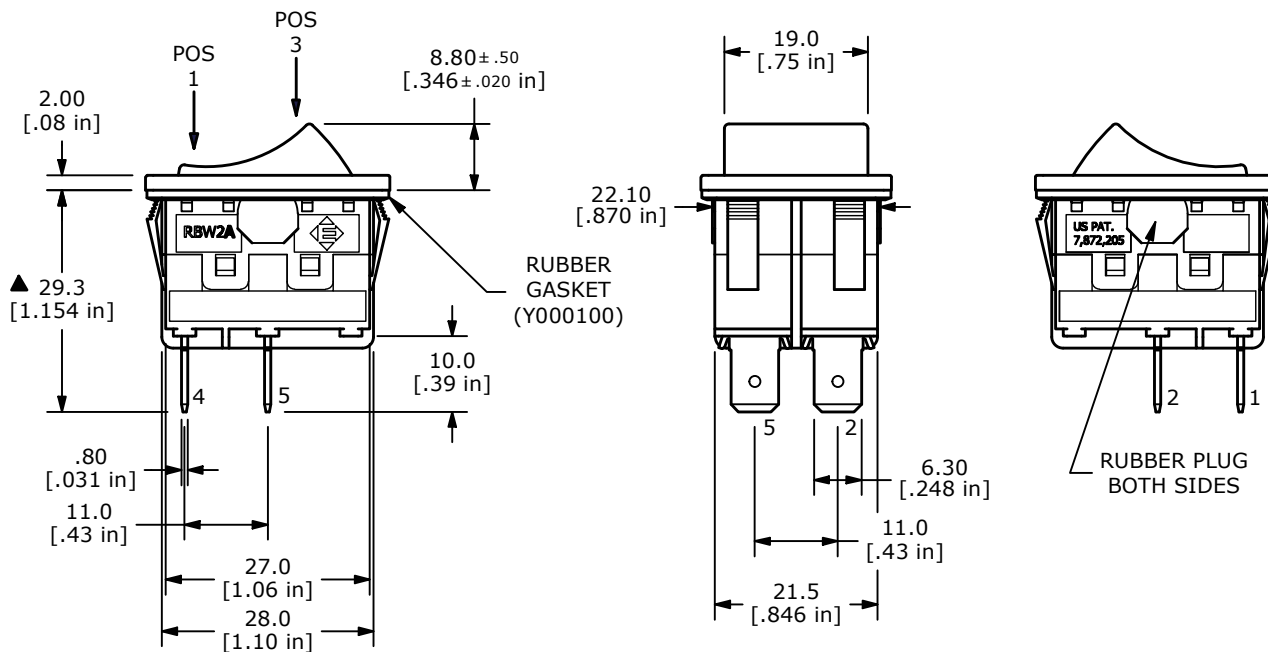
▲ SWITCH FUNCTION		
POS. 1	POS. 2	POS. 3
OFF	N/A	ON
OPEN	N/A	2-1, 5-4



CIRCUIT: DPST
OFF-ON

NOTES:

- ALL DIMENSIONS IN MM [INCH]
- GENERAL TOLERANCE: X.X = ±0.4
X.XX = ±0.25
- TERM. NOS. FOR REF. ONLY
- RATING: 16(16)A 125VAC 5E4 T85
1/3HP 125VAC
- MECHANICAL LIFE: 50,000 CYCLES
- CONTACT RESISTANCE: <30 MILLI-OHMS INITIAL
- DIELECTRIC STRENGTH: 1000V AC 1MIN
- ▲ DENOTES CRITICAL PARAMETER.
- INSULATION RESISTANCE: 500M OHMS AT 500VDC
- OPERATING TEMP: -20°C to 85°C
- INGRESS PROTECTION: IP66



REV	ECO NO	DESCRIPTION	DATE	BY
E	ECO-102180	print update	11/03/23	MW



OBJECT ID
000028966

TITLE RBW2ABLKBLKEF0				
SCALE 1:1	DATE 12/27/2010	DR RC	DWG Y100000	REV E