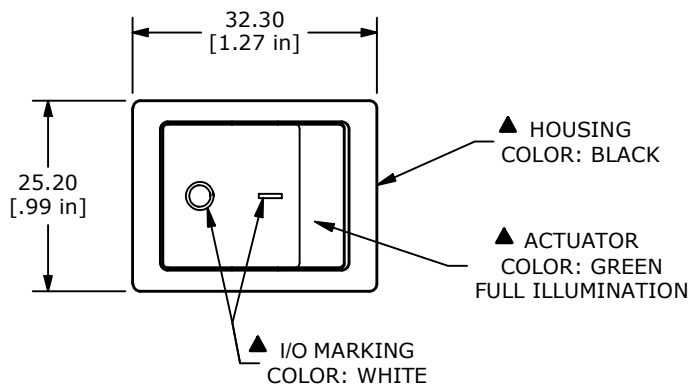
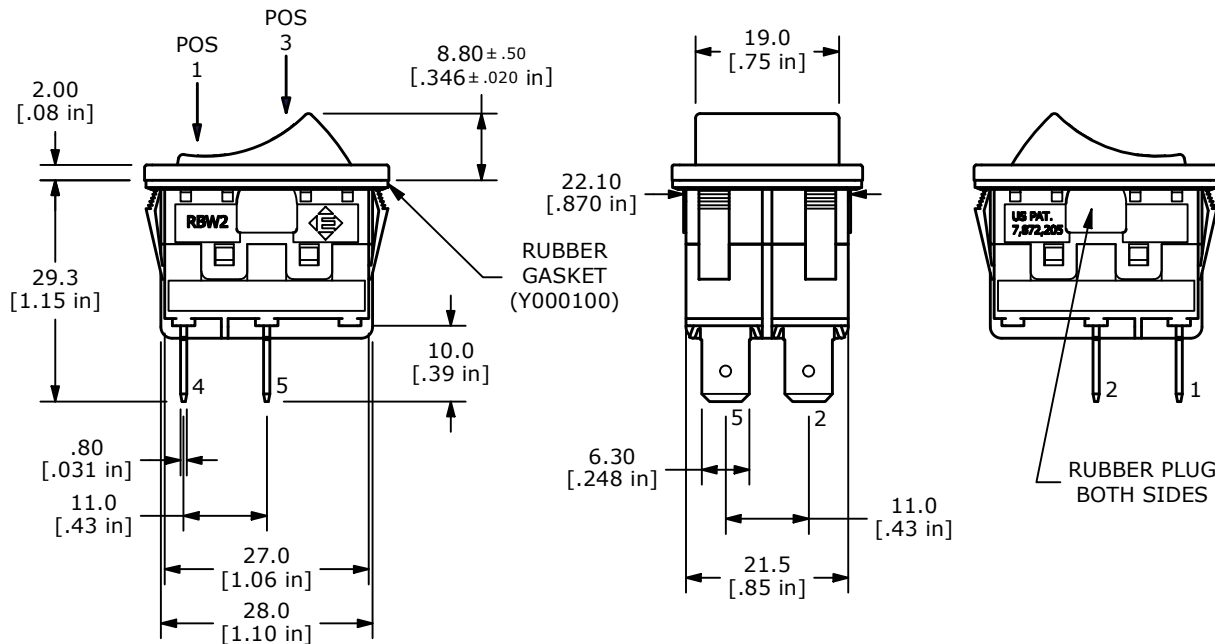
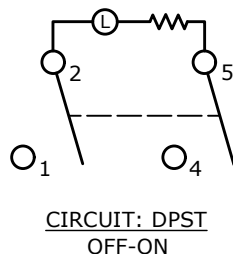


RECOMMENDED PANEL MOUNTING

| PANEL THICKNESS | X |
|-----------------|-----------|
| 1.2-1.8 | 29.9/30.0 |
| 1.8-2.4 | 30.3/30.4 |
| 2.4-3.0 | 30.7/30.8 |



| ▲ SWITCH FUNCTION | | |
|-------------------|--------|----------|
| POS. 1 | POS. 2 | POS. 3 |
| | | |
| OFF | N/A | ON |
| OPEN | N/A | 2-1, 5-4 |



NOTES:

- ALL DIMENSIONS IN MM [INCH]
- GENERAL TOLERANCE: X.X = ±0.4
X.XX = ±0.25
- TERM. NOS. FOR REF. ONLY
- RATING: 16(16)A 125VAC 5E4 T85
1/3HP 125VAC
- MECHANICAL LIFE: 50,000 CYCLES
- CONTACT RESISTANCE: <30 MILLI-OHMS INITIAL
- DIELECTRIC STRENGTH: 1000V AC 1MIN
- ▲ DENOTES CRITICAL PARAMETER.
- INSULATION RESISTANCE: 500M OHMS AT 500VDC
- OPERATING TEMP: -20°C to 85°C
- LAMP: 125VAC NEON
- INGRESS PROTECTION: IP66

| REV | ECO NO | DESCRIPTION | DATE | BY |
|-----|------------|--------------|----------|----|
| D | ECO-102379 | print update | 11/20/23 | MW |



OBJECT ID
000028976

| | | | | | | |
|------------------------|--|--------------|-------------------|-----------|----------------|----------|
| TITLE RBW2ABLKILFF1 | | SCALE 2:1 | DATE 4/19/2011 | DR BGL | DWG Y100010 | REV D |
|------------------------|--|--------------|-------------------|-----------|----------------|----------|