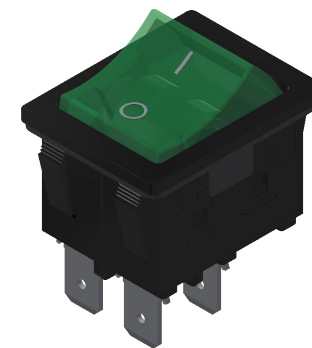
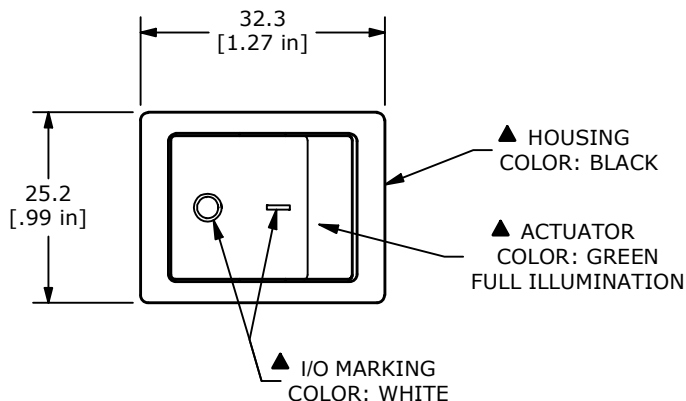
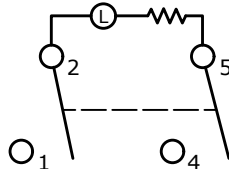


RECOMMENDED PANEL MOUNTING

PANEL THICKNESS	X
1.2-1.8	29.9/30.0
1.8-2.4	30.3/30.4
2.4-3.0	30.7/30.8

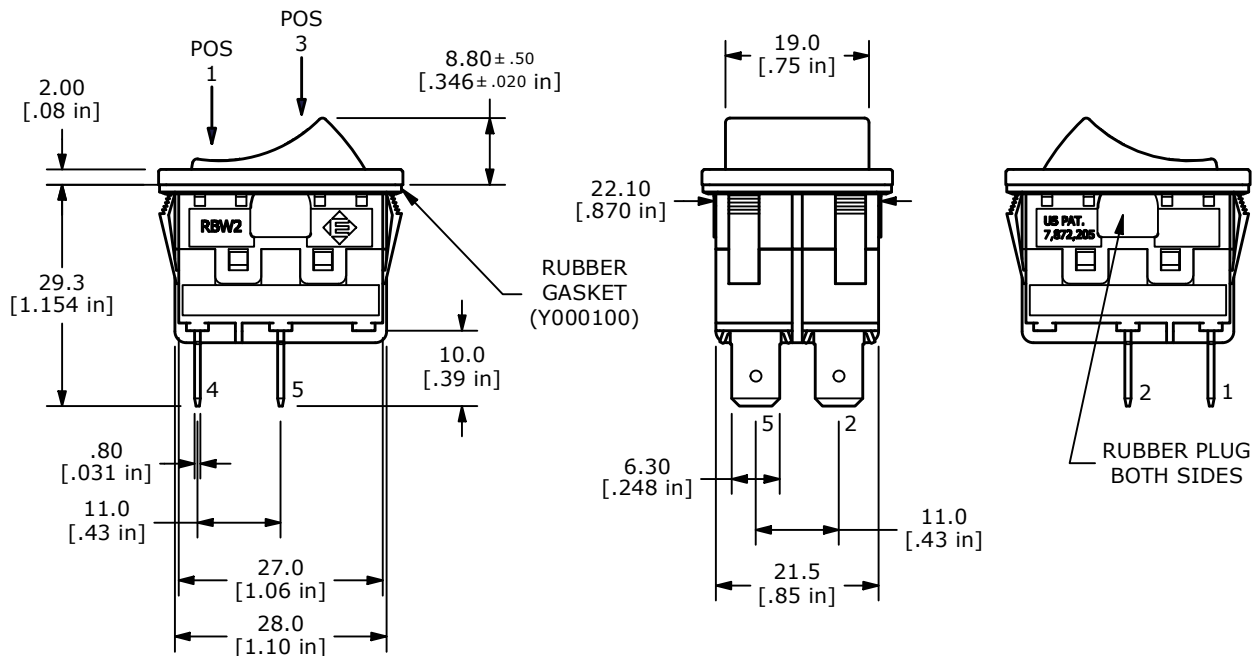


▲ SWITCH FUNCTION		
POS. 1	POS. 2	POS. 3
OFF	NONE	ON
OPEN	N/A	2-1, 5-4



CIRCUIT: DPST OFF-ON

- NOTES:
- ALL DIMENSIONS IN MM [INCH]
 - GENERAL TOLERANCE: X.X = ±0.4
X.XX = ±0.25
 - TERM. NOS. FOR REF. ONLY
 - RATING: 16(16)A 125VAC 5E4 T85
1/3HP 125VAC
 - MECHANICAL LIFE: 50,000 CYCLES
 - CONTACT RESISTANCE: <30 MILLI-OHMS INITIAL
 - DIELECTRIC STRENGTH: 1000V AC 1MIN
 - ▲ DENOTES CRITICAL PARAMETER.
 - INSULATION RESISTANCE: 500M OHMS AT 500VDC
 - OPERATING TEMP: -20°C to 85°C
 - ▲ LAMP: 250VAC NEON
 - INGRESS PROTECTION: IP66



REV	ECO NO	DESCRIPTION	DATE	BY
D	ECO-102379	print update	11/20/23	MW

				OBJECT ID
				000028978
TITLE RBW2ABLKGILFF2				

THE INFORMATION CONTAINED IN THIS DOCUMENT IS PROPRIETARY TO E-SWITCH AND IS NOT TO BE COPIED OR TRANSFERRED				
SCALE	DATE	DR	DWG	REV
1:1	8/4/2011	BGL	Y100012	D