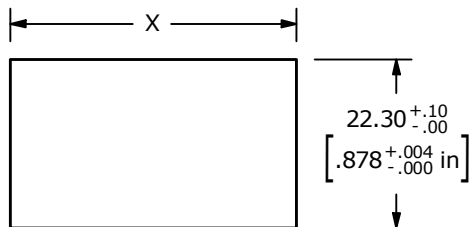
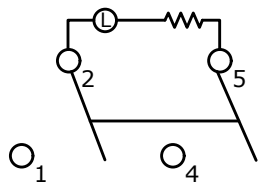
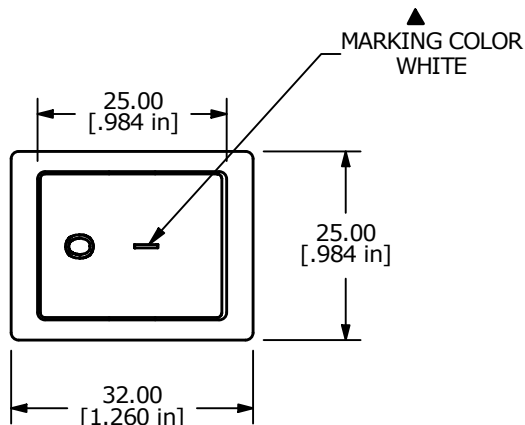


SWITCH FUNCTION	
POS. 1	POS. 2
OFF	ON
OPEN	2-1, 5-4

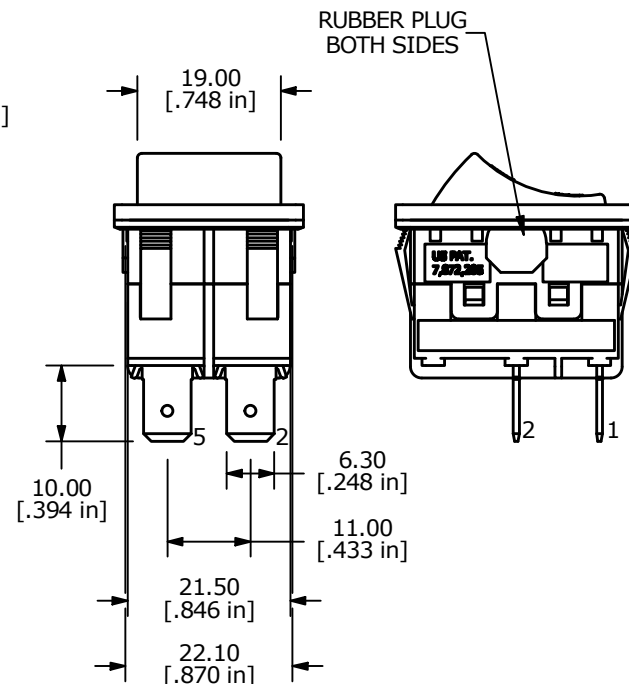
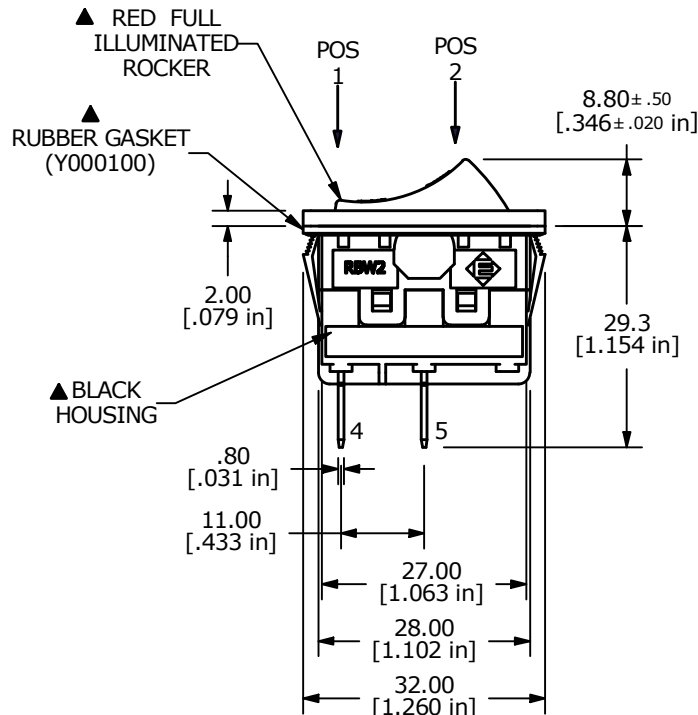


RECOMMENDED PANEL MOUNTING

PANEL THICKNESS	X
1.2-1.8	29.9/30.0
1.8-2.4	30.3/30.4
2.4-3.0	30.7/30.8



CIRCUIT: SPDT FUNCTIONS



- NOTES:
1. ALL DIMENSIONS IN MM [INCH]
 2. GENERAL TOLERANCE: X.X=±0.4
X.XX=±0.25
 3. TERM. NOS. FOR REF. ONLY
 4. RATING: CUL: 16(16)A 125VAC 5E4 T85
1/3HP 125VAC IP66
 5. MECHANICAL LIFE: 50,000 CYCLES
 6. CONTACT RESISTANCE: <30 MILLI-OHMS INITIAL
 7. DIELECTRIC STRENGTH: 1000V AC 1MIN
 8. ▲ DENOTES CRITICAL PARAMETER.
 9. INSULATION RESISTANCE: 500M OHMS AT 500VDC
 10. OPERATING TEMP: -20°C to 85°C
 - ▲ 11. LAMP: 250VAC NEON
 12. RATING: IP66

REV	ECO NO	DESCRIPTION	DATE	BY
B	ECO-100715	REMOVE VDE/ENEC RATING AND LOGO	02/03/22	JS



OBJECT ID
000028979

TITLE RBW2ABLKRLFF2				
SCALE 2:1	DATE 8/12/2011	DR BGL	DWG Y100013	REV B