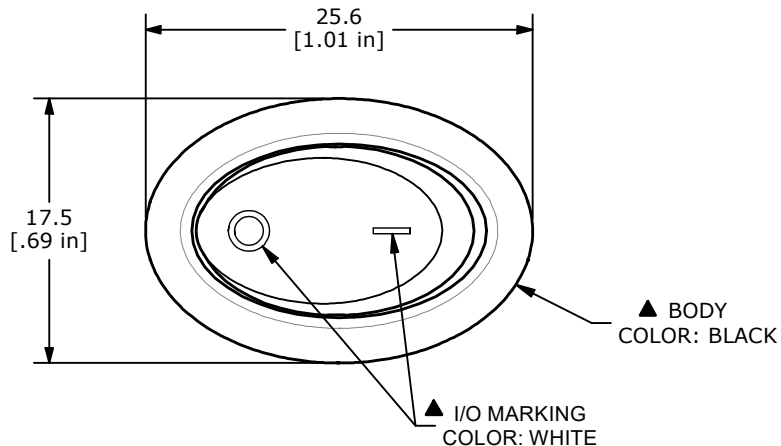
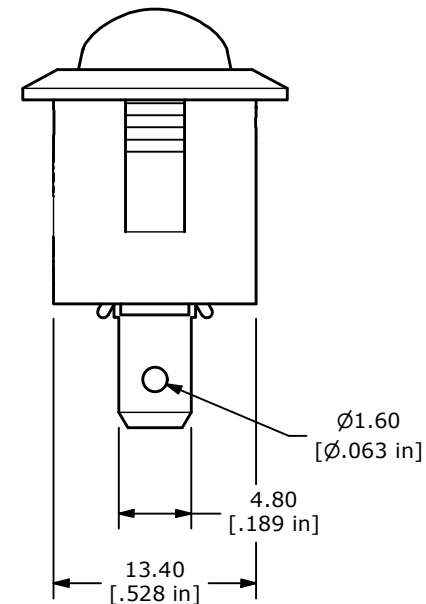
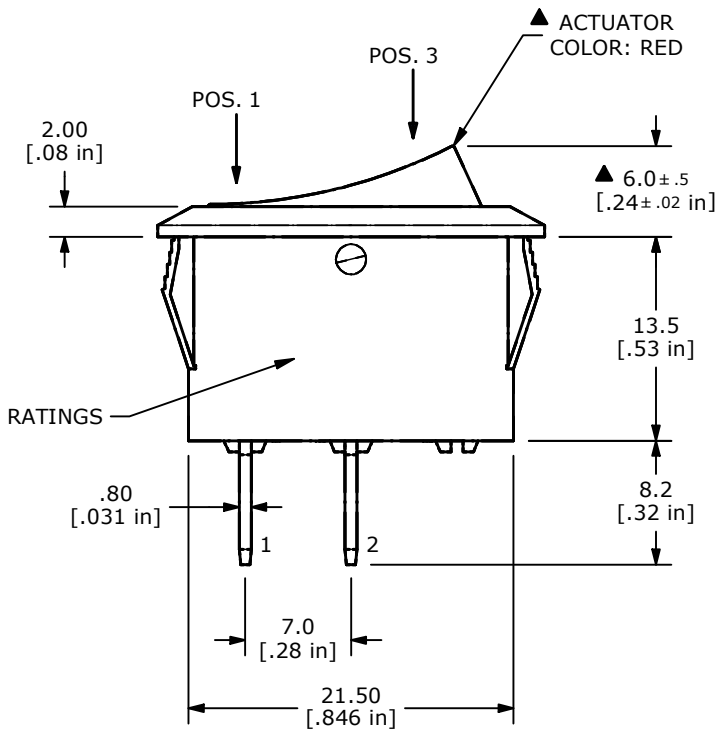
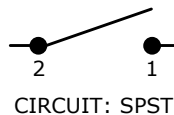


SUGGESTED PANEL CUTOUT

PANEL THICKNESS	(X)
0.75 - 1.25	23.3
1.25 - 2.00	23.6
2.00 - 3.00	23.9



SWITCH FUNCTION		
POS. 1	POS. 2	POS. 3
OFF	N/A	ON
OPEN	N/A	2-1



NOTE:

1. ALL DIMENSIONS IN MM [INCH]
2. GENERAL TOLERANCE: X.X = ± 0.4  
X.XX = ± 0.25
3. TERMINAL NOS. FOR REF. ONLY
- ▲ 4. RATINGS: 10A 125VAC [UR, cUR]  
6(2)A 250V [ENEC14]
5. CONTACT MATERIAL: SILVER
6. CONTACT RESISTANCE: 35mΩ MAX. @ 50VAC INITIAL
7. INSULATION RESISTANCE: 100MΩ MIN. @ 500VDC
8. DIELECTRIC STRENGTH: 1,500 VAC FOR 1 MINUTE
9. ELECTRICAL LIFE: 6,000 CYCLES [UR, cUR]  
10,000 CYCLES [ENEC14]
10. TEMPERATURE: -20°C to 105°C [UR, cUR]  
-20°C to 85°C [ENEC14]
11. ▲ DENOTES CRITICAL PARAMETER

REV	ECO NO	DESCRIPTION	DATE	BY
A	ECO-103373	Release	04/21/25	MW



OBJECT ID  
100130157

TITLE RE11131921				
SCALE 2:1	DATE 4/17/2025	DR MW	DWG 38-RE11131921	REV A