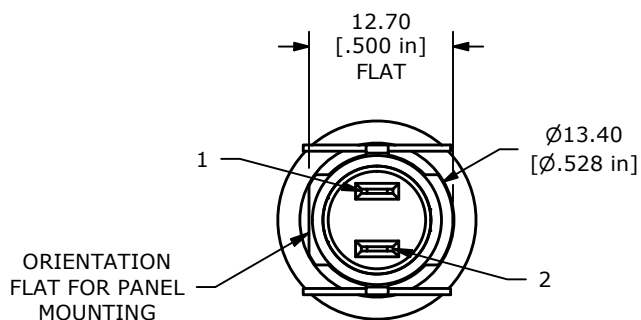


- NOTE:**
1. ALL DIMENSIONS IN MM [INCH]
 2. GENERAL TOLERANCE: X.X = ±0.4
X.XX = ±0.25
 3. TERMINAL NUMBERS FOR REF ONLY
 4. CONTACT MATERIAL: GOLD OVER SILVER
 5. RATING: 125mA @ 125 VAC
100mA @ 50 VDC
 6. ELECTRIC LIFE: 500,000 CYCLES AT FULL LOAD
 7. CONTACT RESISTANCE: 50 mΩ max. (INITIAL)
 8. INSULATION RESISTANCE: 1,000 MΩ min. @ 500VDC.
 9. DIELECTRIC STRENGTH: 1,000 VAC rms.
 10. OPERATING FORCE: 2N~5N
 11. OPERATING TEMPERATURE: -30°C TO +85°C.
 12. CONTACT BOUNCE: 10ms MAX.
 13. TRAVEL: 1.5mm ±0.25mm
 14. PANEL THICKNESS RANGE: 0.8 - 1.8 mm.
 15. ▲ DENOTES CRITICAL PARAMETER.
 16. HARDWARE INCLUDED:
1. T081100 RUBBER SEAL (1)
 17. SEAL RATING: IP67 AT THE FRONT PANEL



REV	ECO NO	DESCRIPTION	DATE	BY
E	ECO-103490	REMOVED SIDE RETENTION SLOTS	07/14/25	MR



OBJECT ID
000022761

TITLE RP8100B1M1CEBLKYELNIL				
SCALE 3:2	DATE 3/12/2008	DR BLR	DWG ST081028	REV E