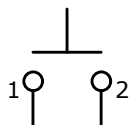
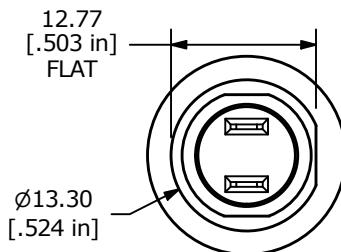
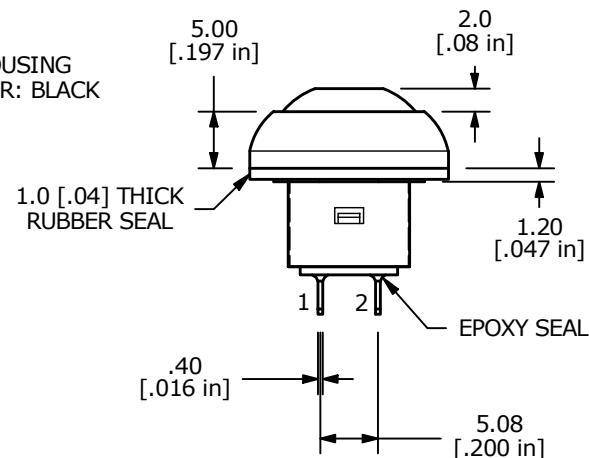
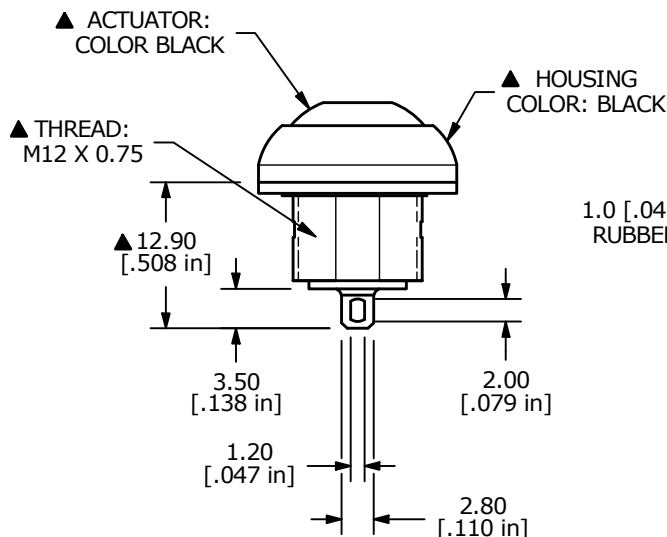
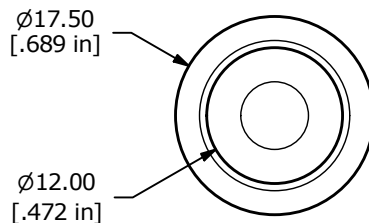


PANEL MOUNTING



▲ **CIRCUIT: SPST
OFF-(ON)
MOMENTARY**



NOTE:

1. ALL DIMENSIONS IN MM [INCH]
2. GENERAL TOLERANCE: X.X = ±0.4
X.XX = ±0.25
3. TERMINAL NUMBERS FOR REF ONLY
4. CIRCUIT: SPST OFF-MOMENTARY ON
5. CONTACT MATERIAL: Gold over SILVER
- ▲ 6. RATING: 125mA @ 125 VAC
100mA @ 50 VDC
7. ELECTRIC LIFE: 500,000 CYCLES AT FULL LOAD
8. CONTACT RESISTANCE: 50 milli-OHM max. (INITIAL)
9. INSULATION RESISTANCE: 1,000 MEGA-OHM min. @ 500VDC
10. DIELECTRIC STRENGTH: 1,000 VAC rms.
11. OPERATING FORCE: 350 gf +/- 150 gf
12. OPERATING TEMPERATURE: -30°C to +85°C
13. CONTACT BOUNCE: 10ms MAX.
- ▲ 14. TRAVEL: 1.5mm
15. PANEL THICKNESS RANGE: 1.5 - 4.0mm
16. ▲ DENOTES CRITICAL PARAMETER.
17. MAX MOUNTING TORQUE: 0.5 Nm APPLIED TO THE NUT
- ▲ 18. HARDWARE INCLUDED:
 1. T081101 LOCK WASHER (1)
 2. T081102HEX NUT (1)
 3. T081100 RUBBER SEAL (1)
19. SEAL RATING: IP67 AT THE FRONT PANEL

REV	ECO NO	DESCRIPTION	DATE	BY
F	ECO-100338	MAX MOUNTING TORQUE 0.5 Nm	09/09/21	JS



OBJECT ID
000022749

TITLE RP8100B2M1CEBLKBLKNIL				
SCALE 3:2	DATE 12/13/2007	DR RC	DWG ST081000	REV F