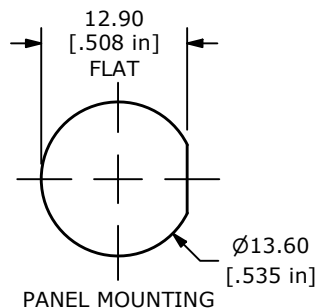
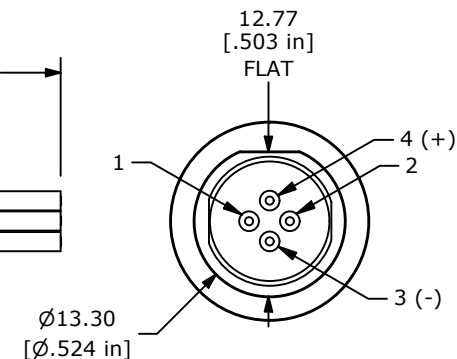
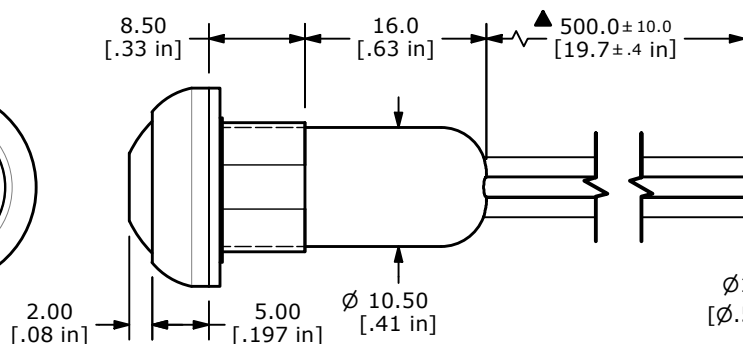
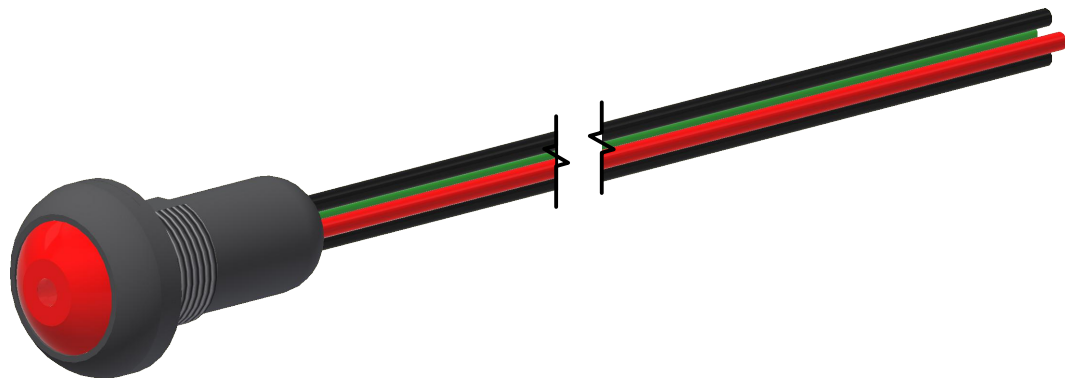
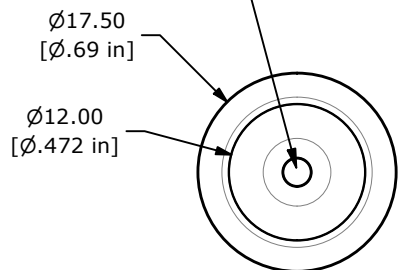


TERMINAL	WIRE
1	WIRE, 20 AWG, BLACK
2	WIRE, 20 AWG, BLACK
3 (-)	WIRE, 20 AWG, GREEN
4 (+)	WIRE, 20 AWG, RED

▲ **CIRCUIT: SPST**
OFF - (ON)
(MOMENTARY)

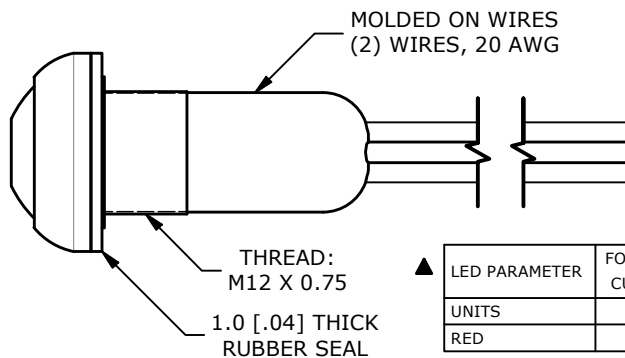


▲ **WINDOW TO VIEW RED LED**



NOTE:

1. ALL DIMENSIONS IN MM [INCH]
2. GENERAL TOLERANCE: X.X = ±0.4
X.XX = ±0.25
3. TERMINAL NUMBERS FOR REF ONLY
4. CONTACT MATERIAL: GOLD OVER SILVER
5. RATING: 125mA @ 125 VAC
100mA @ 50 VDC
6. ELECTRIC LIFE: 500,000 CYCLES AT FULL LOAD
7. CONTACT RESISTANCE: 100 mΩ MAX. (INITIAL)
8. INSULATION RESISTANCE: 1,000 MΩ MIN. @ 500VDC
9. DIELECTRIC STRENGTH: 1,000 VAC FOR 1 MINUTE
10. OPERATING FORCE: 2N~5N
11. OPERATING TEMPERATURE: -30°C to +85°C
12. CONTACT BOUNCE: 10ms MAX.
13. TRAVEL: 1.5mm ±0.25mm
14. PANEL THICKNESS RANGE: 1.5 - 4.0mm
15. ▲ DENOTES CRITICAL PARAMETER.
16. MAX MOUNTING TORQUE: 0.5 Nm APPLIED TO THE NUT
- ▲ 17. HARDWARE INCLUDED: T081101 LOCK WASHER (QTY 1)
T081102 HEX NUT (QTY 1)
T081100 RUBBER SEAL (QTY 1)
18. SEAL RATING: IP67 AT THE FRONT PANEL



LED PARAMETER	FORWARD CURRENT	FORWARD VOLTAGE @ 20mA	LUMINOUS INTENSITY
UNITS	mA	V	mcd
RED	20	2.0 - 2.5	700

REV	ECO NO	DESCRIPTION	DATE	BY
B	ECO-103495	REMOVED SIDE RETENTION SLOTS	07/14/25	MR



OBJECT ID
100117694

TITLE RP8100B2W1CEBLKREDRED				
SCALE 3:2	DATE 8/3/2021	DR MW	DWG ST081503	REV B