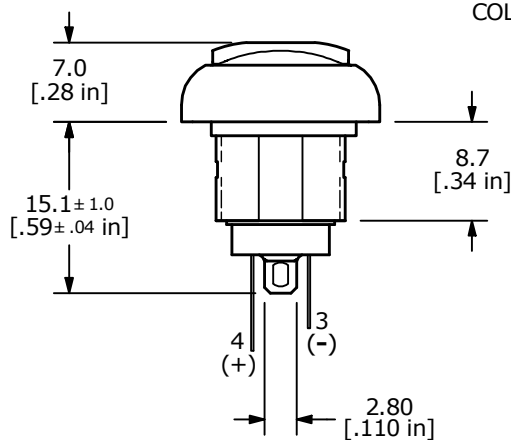


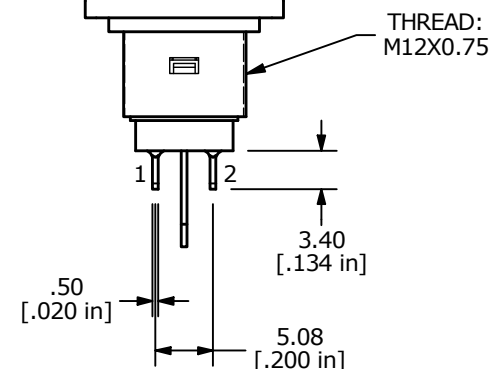
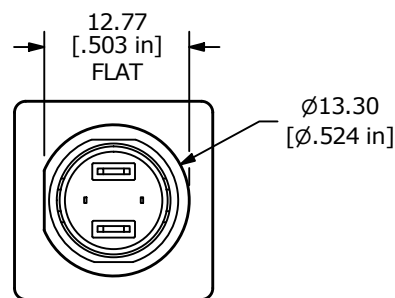
LED PARAMETER	FORWARD CURRENT	FORWARD VOLTAGE @ 20mA	LUMINOUS INTENSITY
UNITS	mA	V	mcd
GREEN	20	2.2 - 2.7	130

NOTE:

1. ALL DIMENSIONS IN MM [INCH]
2. GENERAL TOLERANCE: X.X = ± 0.4
X.XX = ± 0.25
3. TERMINAL NUMBERS FOR REF ONLY
4. CIRCUIT: SPST OFF-(ON) MOMENTARY
5. CONTACT MATERIAL: Gold OVER SILVER
6. RATING: 500mA @ 48 VAC
200mA @ 50 VDC
200mA @ 250 VAC
7. ELECTRIC LIFE: 500,000 CYCLES AT FULL LOAD
8. CONTACT RESISTANCE: 50 MILLIOHM MAX. (INITIAL)
9. INSULATION RESISTANCE: 1,000 MEGA-OHM MIN. @ 500VDC
10. DIELECTRIC STRENGTH: 1,500 VAC FOR 1 MINUTE.
11. OPERATING FORCE: 350 ± 150 gf
12. OPERATING TEMPERATURE: -30°C to +85°C
13. CONTACT BOUNCE: 10ms MAX.
14. TRAVEL: 1.5 ± 0.25 mm
15. PANEL THICKNESS RANGE: 1.5 - 4.0mm
16. ▲ DENOTES CRITICAL PARAMETER.
17. MAX TORQUE APPLIED TO MOUNTING NUT: 1.5Nm
18. HARDWARE INCLUDED:
 1. T081101 LOCK WASHER (1)
 2. T081102 HEX NUT (1)
 3. T081103 O-RING (1)
19. SEAL RATING: IP67 AT THE FRONT PANEL



▲ ACTUATOR: COLOR WHITE
▲ HOUSING: COLOR BLACK



REV	ECO NO	DESCRIPTION	DATE	BY
F	ECO-100478	update print	11/09/21	MW



OBJECT ID
000022825

TITLE RP8400B2M1CEBLKWHTGRN				
SCALE 3:2	DATE 7/23/2012	DR RC	DWG ST084010	REV F