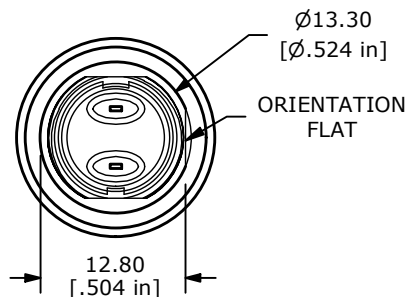
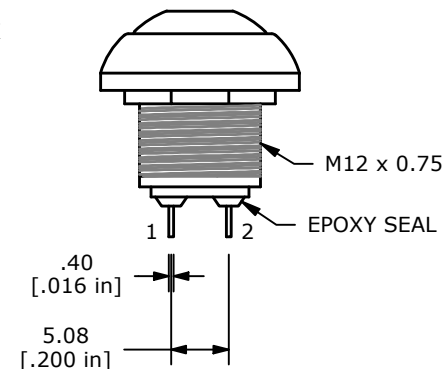
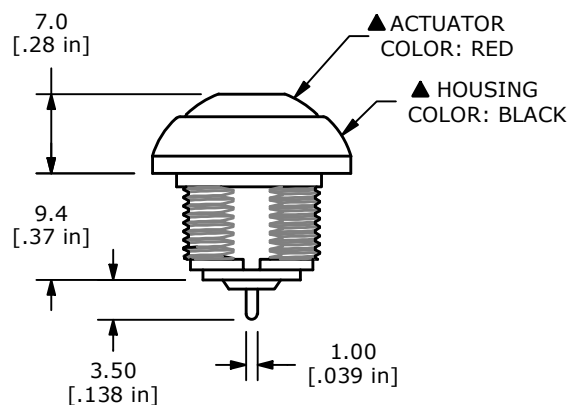


NOTE:

1. ALL DIMENSIONS IN MM [INCH]
2. GENERAL TOLERANCE: X.X=±0.4
X.XX=±0.25
3. TERMINAL NUMBERS FOR REF ONLY
4. CIRCUIT: SPST OFF-MOMENTARY ON
5. CONTACT MATERIAL: GOLD OVER SILVER
6. RATING: 400mA @ 32 VAC
125mA @ 125 VDC
200mA @ 50 VDC
7. ELECTRIC LIFE: 500,000 CYCLES AT FULL LOAD
8. CONTACT RESISTANCE: 50 MILLIOHM MAX. (INITIAL)
9. INSULATION RESISTANCE: 1,000 MEGA-OHM MIN. @ 500VDC
10. DIELECTRIC STRENGTH: 1,500 VAC FOR 1 MINUTE
11. OPERATING FORCE: 350 ±150gf
12. OPERATING TEMPERATURE: -30°C TO +85°C
13. CONTACT BOUNCE: 10ms MAX.
14. TRAVEL: 1.50 ±0.25MM
15. PANEL THICKNESS RANGE: 1.5 - 4.0 mm
16. ▲ DENOTES CRITICAL PARAMETER
17. MAX TORQUE APPLIED TO MOUNTING NUT: 0.5Nm
18. HARDWARE INCLUDED:
1) T081101 LOCK WASHER (QTY 1)
2) T081102 HEX NUT (QTY 1)
3) T081103 RUBBER O-RING (QTY 1)
19. SEAL RATING: IP68 AT THE FRONT PANEL



REV	ECO NO	DESCRIPTION	DATE	BY
A	ECO-103312	RELEASE	04/17/25	JS



OBJECT ID
100129655

TITLE RP8700AB2M4CEBLKREDNIL				
SCALE 3:2	DATE 2/4/2025	DR JS	DWG ST087004	REV A