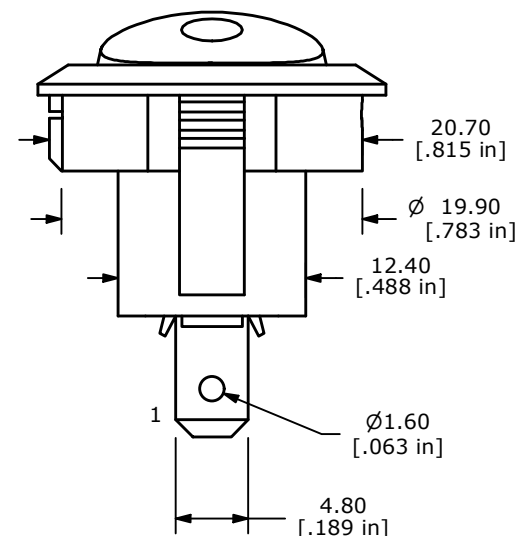
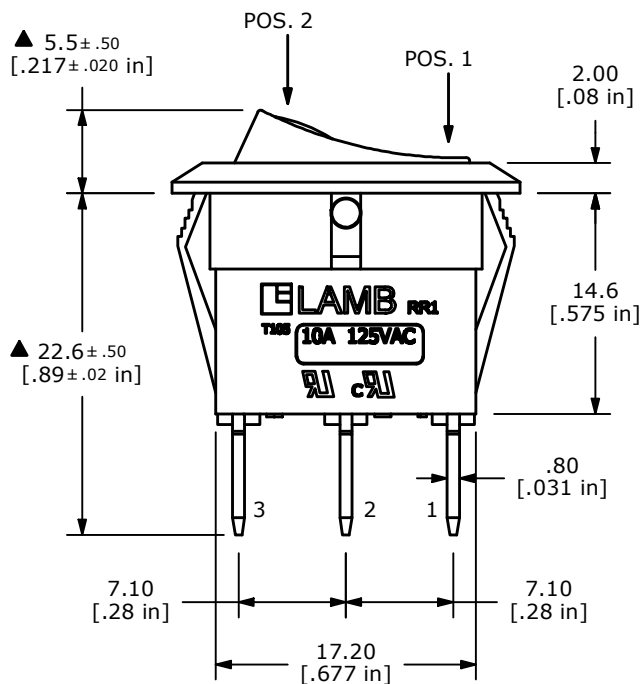
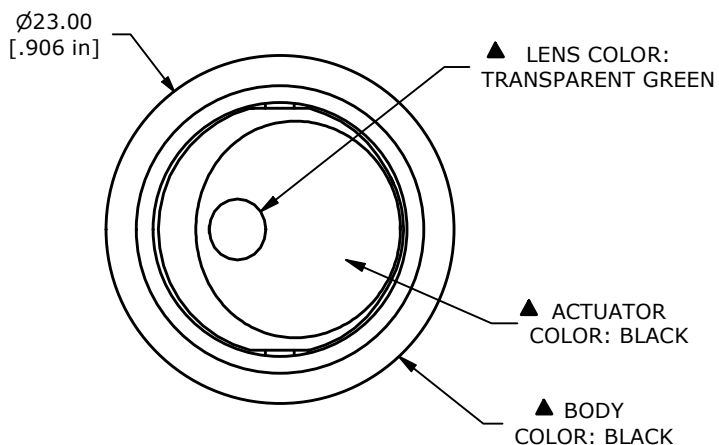
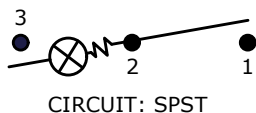


PANEL CUTOUT

PANEL THICKNESS	(X) DIM.
0.75 TO 1.25	20.2mm
1.25 TO 2.00	20.4mm
2.00 TO 3.00	20.6mm

SWITCH FUNCTION	
POS. 1	POS. 2
OFF	ON
OPEN	2-1



- NOTE:
- DIMENSIONS IN MM [INCH]
  - GENERAL TOLERANCE: X.X = ± 0.4  
X.XX = ± 0.25
  - TERMINAL NUMBERS FOR REF ONLY
  - CONTACT MATERIAL: SILVER
  - CONTACT RATING: ANSI/UL 1054 CAN/USA C22.2 NO. 55 (E194579):  
10A @ 125VAC [UR, cUR]  
EN 61508-1:2002:
  - CONTACT RESISTANCE: 35mΩ MAX. @ 50VAC
  - INSULATION RESISTANCE: 100MΩ MIN. @ 500VAC
  - DIELECTRIC STRENGTH: 1,500VAC FOR 1 MINUTE
  - ELECTRICAL LIFE: 6,000 CYCLES [UR, cUR]
  - OPERATING TEMPERATURE: -20°C to 105°C [UR, cUR]
  - ▲ DENOTES CRITICAL PARAMETER
  - ILLUMINATION VOLTAGE: 12V

REV	ECO NO	DESCRIPTION	DATE	BY
D	ECO-103715	PRINT UPDATE, REMOVE ENEC RATINGS	12/02/25	JS



OBJECT ID  
000001506

TITLE RR11131100-234				
SCALE 2:1	DATE 4/28/2011	DR CAB	DWG 38-RR11131100234	REV D