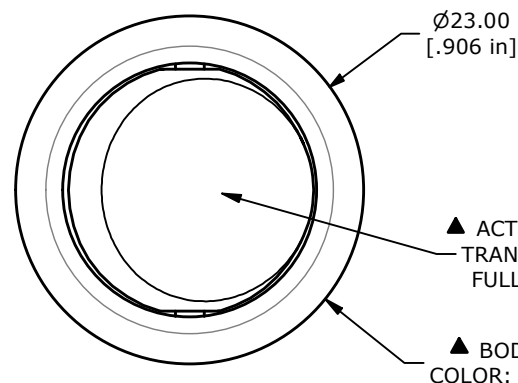
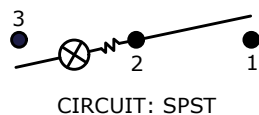


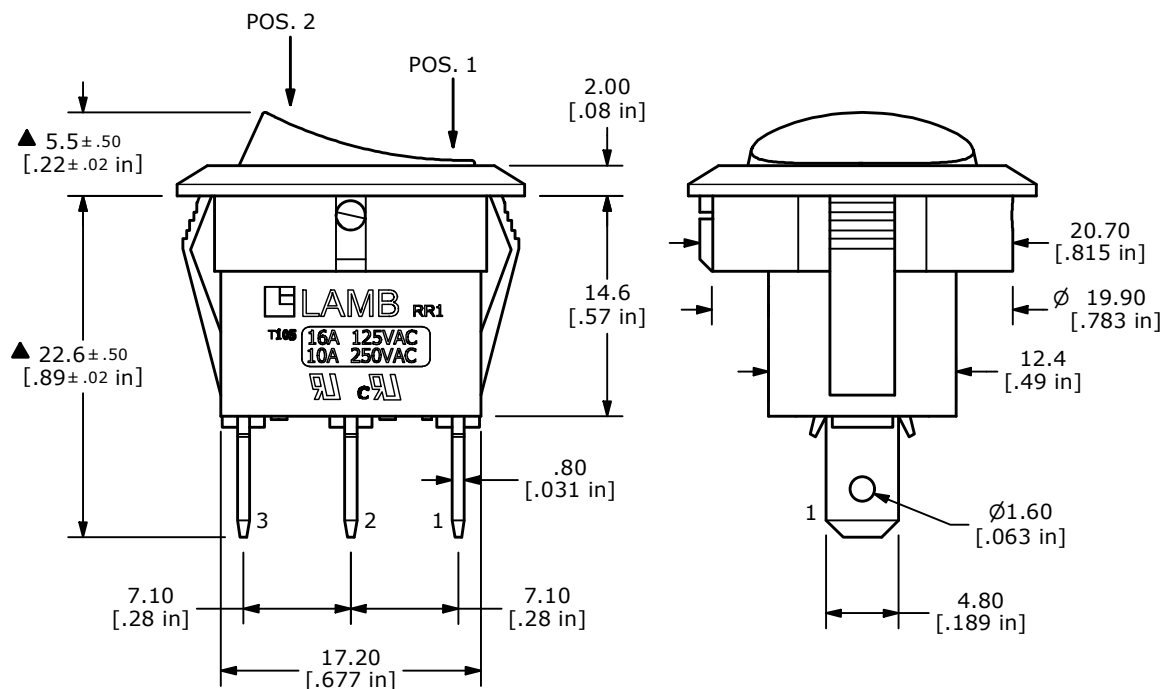
PANEL CUTOUT

PANEL THICKNESS	(X) DIM.
0.75 to 1.25	20.2mm
1.25 to 2.00	20.4mm
2.00 to 3.00	20.6mm

SWITCH FUNCTION	
POS. 1	POS. 2
OFF	ON
OPEN	2-1



- NOTE:
- DIMENSIONS IN MM [INCH]
 - GENERAL TOLERANCE: X.X = ± 0.4
X.XX = ± 0.25
 - TERMINAL NUMBERS FOR REF ONLY
 - CONTACT MATERIAL: SILVER
 - CONTACT RATING: ANSI/UL 1054 CAN/USA C22.2 NO. 55 (E194579):
16A @ 125VAC [UR, cUR]
10A @ 250VAC [UR, cUR]
1/3 HP 125/250VAC [UR, cUR]
 - CONTACT RESISTANCE: 35mΩ MAX. @ 50VAC
 - INSULATION RESISTANCE: 100MΩ MIN. @ 500VAC
 - DIELECTRIC STRENGTH: 1,500VAC FOR 1 MINUTE
 - ELECTRICAL LIFE: 6,000 CYCLES [UR, cUR]
 - OPERATING TEMP.: -20°C to 105°C [UR, cUR]
 - ▲ DENOTES CRITICAL PARAMETER
 - ILLUMINATION VOLTAGE: 125V



REV	ECO NO	DESCRIPTION	DATE	BY
B	ECO-103714	REMOVE ENEC RATING	12/01/25	JS



OBJECT ID
100127977

TITLE RR111C1000-136				
SCALE 2:1	DATE 7/26/2024	DR MW	DWG 38-RR111C1000136	REV B