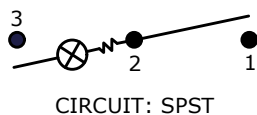


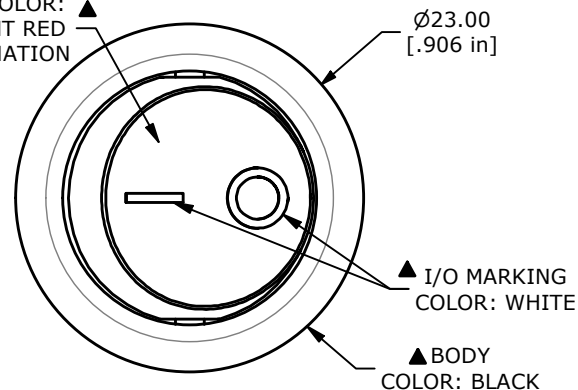
PANEL CUTOUT

PANEL THICKNESS	(X) DIM.
0.75 to 1.25	20.2mm
1.25 to 2.00	20.4mm
2.00 to 3.00	20.6mm

SWITCH FUNCTION	
POS. 1	POS. 2
OFF	ON
OPEN	2-1

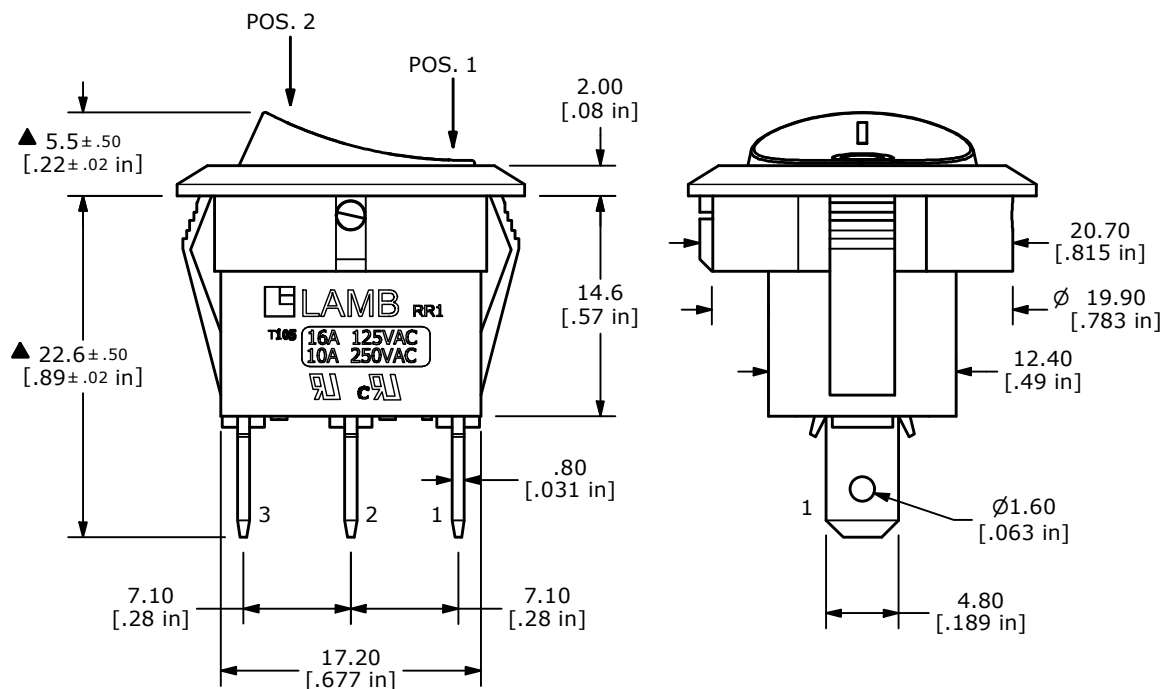


ACTUATOR COLOR:
TRANSPARENT RED
FULL ILLUMINATION



NOTE:

1. DIMENSIONS IN MM [INCH]
2. GENERAL TOLERANCE: X.X = ± 0.4
X.XX = ± 0.25
3. TERMINAL NUMBERS FOR REF ONLY
4. CONTACT MATERIAL: SILVER
- ▲ 5. CONTACT RATING: ANSI/UL 1054 CAN/USA C22.2 NO. 55 (E194579):
16A @ 125VAC [UR, cUR]
10A @ 250VAC [UR, cUR]
1/3 HP 125/250VAC [UR, cUR]
6. CONTACT RESISTANCE: 35mΩ MAX. @ 50VAC
7. INSULATION RESISTANCE: 100MΩ MIN. @ 500VAC
8. DIELECTRIC STRENGTH: 1,500VAC FOR 1 MINUTE
9. ELECTRICAL LIFE: 6,000 CYCLES [UR, cUR]
10. OPERATING TEMP.: -20°C to 105°C [UR, cUR]
11. ▲ DENOTES CRITICAL PARAMETER
- ▲ 12. ILLUMINATION VOLTAGE: 125V



REV	ECO NO	DESCRIPTION	DATE	BY	E-SWITCH®				OBJECT ID
B	ECO-103715	PRINT UPDATE, REMOVE ENEC RATINGS	12/02/25	JS					000001511
					TITLE RR111C1021-116				
					SCALE	DATE	DR	DWG	REV
					2:1	12/20/2019	MJR	38-RR111C1021116	B