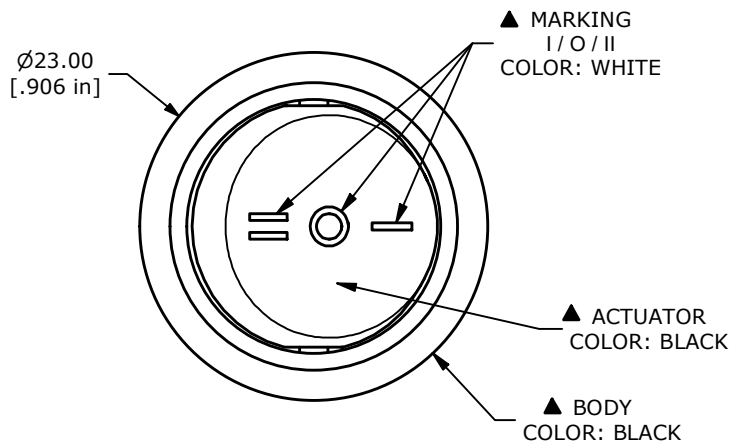
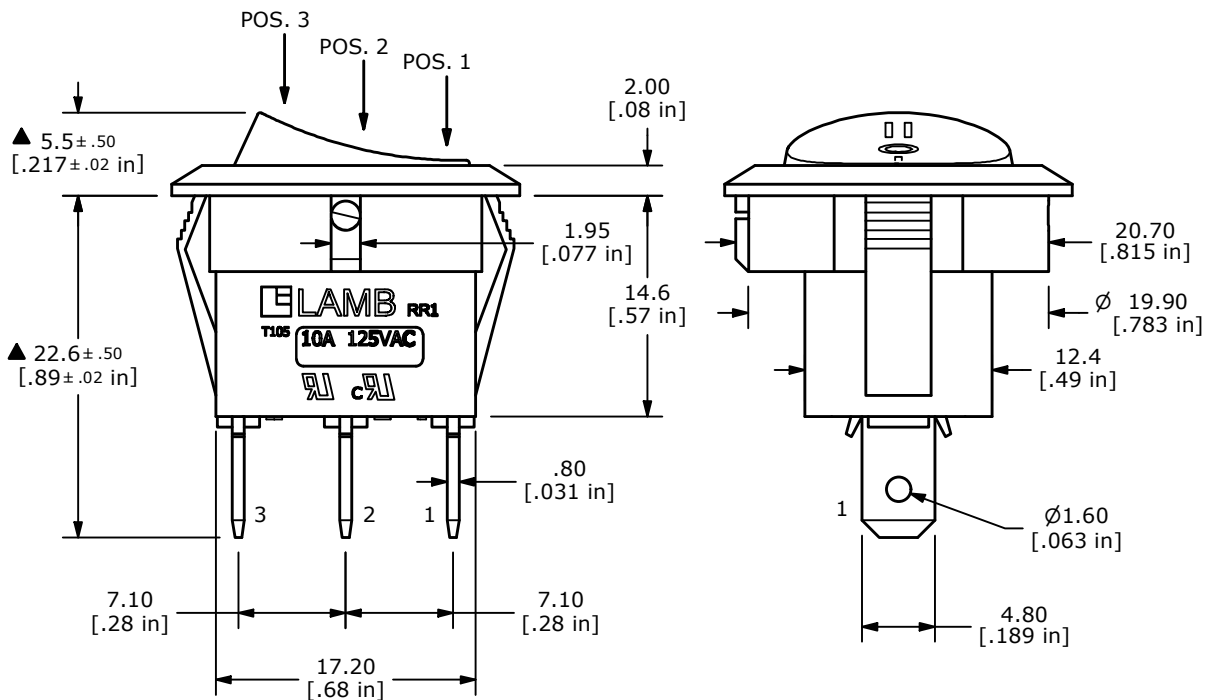
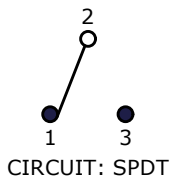


PANEL CUTOUT

PANEL THICKNESS	(X) DIM.
0.75 TO 1.25	20.2mm
1.25 TO 2.00	20.4mm
2.00 TO 3.00	20.6mm



▲ SWITCH FUNCTION		
POS. 3	POS. 2	POS. 1
ON	OFF	ON
2-1	OPEN	2-3



- NOTE:
- DIMENSIONS IN MM [INCH]
 - GENERAL TOLERANCE: X.X = ± 0.4
X.XX = ± 0.25
 - TERMINAL NUMBERS FOR REF ONLY
 - CONTACT MATERIAL: SILVER
 - CONTACT RATING: ANSI/UL 1054 CAN/USA C22.2 NO. 55 [E194579]:
10A @ 250VAC (UR, cUR)
 - CONTACT RESISTANCE: 35mΩ MAX. @ 50VAC
 - INSULATION RESISTANCE: 100MΩ MIN. @ 500VAC
 - DIELECTRIC STRENGTH: 1,500VAC FOR 1 MINUTE
 - ELECTRICAL LIFE: 6,000 CYCLES [UR, cUR]
 - OPERATING TEMP.: -20°C to 105°C [UR, cUR]
 - ▲ DENOTES CRITICAL PARAMETER
 - ILLUMINATION VOLTAGE: N/A

REV	ECO NO	DESCRIPTION	DATE	BY	E-SWITCH®			OBJECT ID	
B	ECO-103714	REMOVE ENEC RATING	12/01/25	JS				000001518	
					TITLE RR1153112S				
					SCALE 2:1	DATE 2/14/2019	DR MW	DWG 38-RR1153112S	REV B