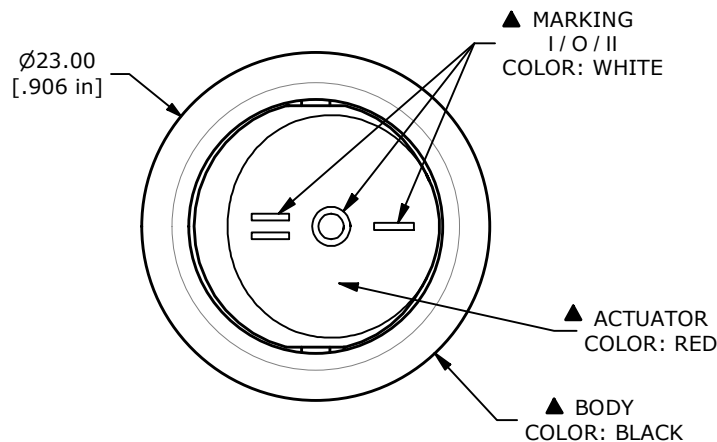
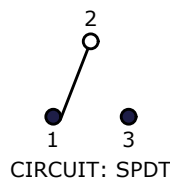


PANEL THICKNESS	(X) DIM.
0.75 TO 1.25	20.2mm
1.25 TO 2.00	20.4mm
2.00 TO 3.00	20.6mm

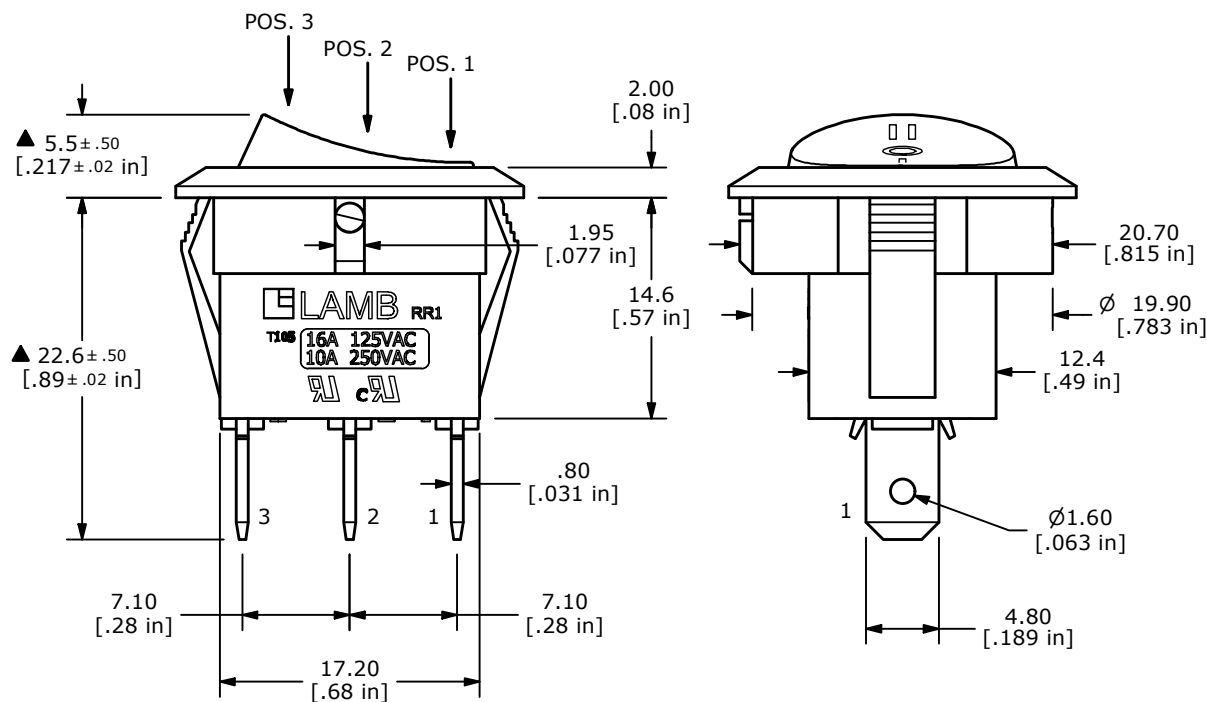


▲ SWITCH FUNCTION		
POS. 3	POS. 2	POS. 1
ON	OFF	ON
2-1	OPEN	2-3



NOTE:

1. DIMENSIONS IN MM [INCH]
2. GENERAL TOLERANCE: X.X = ± 0.4  
X.XX = ± 0.25
3. TERMINAL NUMBERS FOR REF ONLY
4. CONTACT MATERIAL: SILVER
- ▲ 5. CONTACT RATING: ANSI/UL 1054 CAN/USA C22.2 NO. 55 (E194579):  
16A @ 125VAC [UR, cUR]  
10A @ 250VAC [UR, cUR]  
1/3 HP 125/250VAC [UR, cUR]
6. CONTACT RESISTANCE: 35mΩ MAX. @ 50VAC
7. INSULATION RESISTANCE: 100MΩ MIN. @ 500VAC
8. DIELECTRIC STRENGTH: 1,500VAC FOR 1 MINUTE
9. ELECTRICAL LIFE: 6,000 CYCLES [UR, cUR]
10. OPERATING TEMP.: -20°C to 105°C [UR, cUR]
11. ▲ DENOTES CRITICAL PARAMETER
12. ILLUMINATION VOLTAGE: N/A



REV	ECO NO	DESCRIPTION	DATE	BY
B	ECO-103781	PRINT UPDATE, REMOVE ENEC RATINGS	12/02/25	JS

OBJECT ID  
000001520

E-SWITCH®

TITLE RR115C192S

SCALE 2:1	DATE 6/18/2020	DR MW	DWG 38-RR115C192S	REV B
-----------	----------------	-------	-------------------	-------