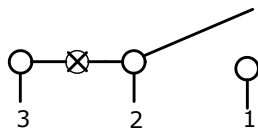
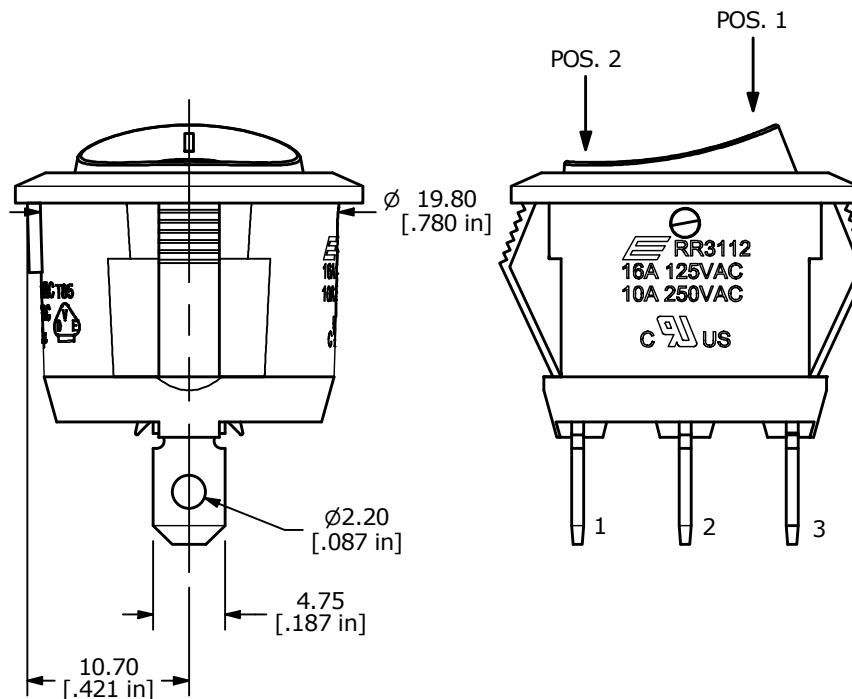
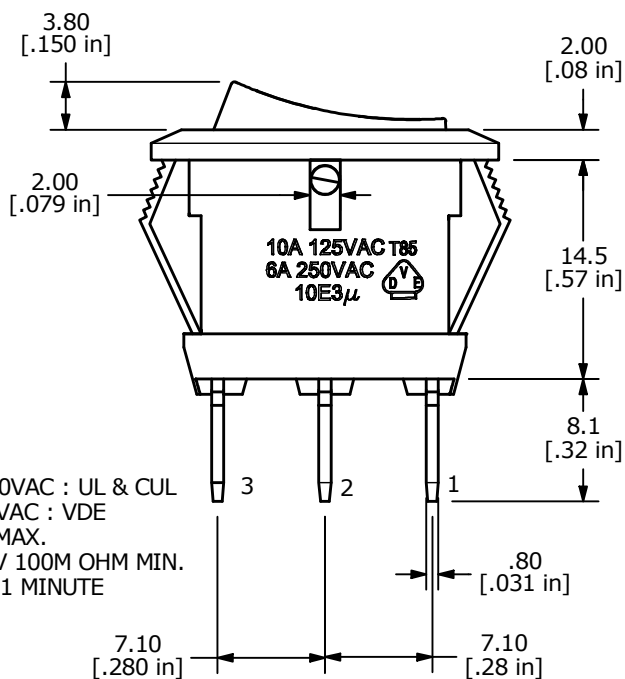
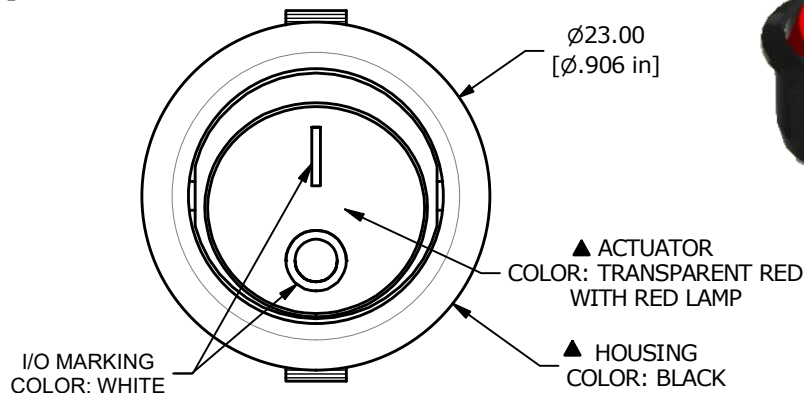
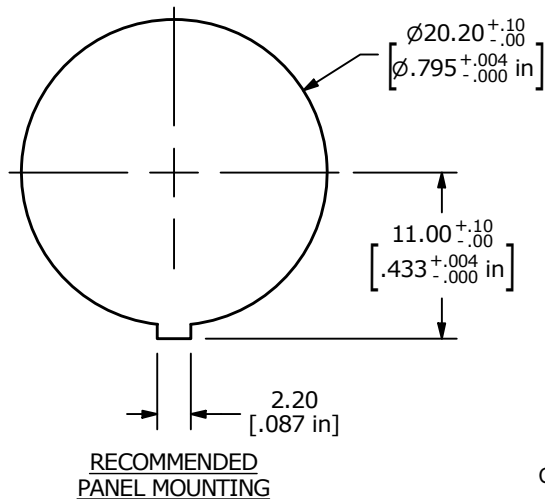


SWITCH FUNCTION	
POS. 1	POS. 2
ON	OFF
2-1	OPEN



CIRCUIT: SPST



NOTES:

- ALL DIMENSIONS IN MM [INCH]
- GENERAL TOLERANCE: x.x = ±0.4  
x.xx = ±0.25
- TERM. NUMBERS FOR REF. ONLY
- RATING: 16A @ 125VAC, 10A @ 250VAC : UL & CUL  
10A @ 125VAC, 6A @ 250VAC : VDE
- CONTACT RESISTANCE: 50m OHM MAX.
- INSULATION RESISTANCE: DC 500V 100M OHM MIN.
- DIELECTRIC STRENGTH: AC 1500V 1 MINUTE
- OPERATING TEMP: -20°C to 85°C
- NEON LAMP 110V
- PANEL THICKNESS: 3.0mm MAX.
- ▲ DENOTES CRITICAL PARAMETER

REV	ECO NO	DESCRIPTION	DATE	BY
A	ECO-101506	RELEASE	01/06/23	JS



OBJECT ID  
100123266

TITLE RR3112BBLKREDREDF1				
SCALE	DATE	DR	DWG	REV
2:1	12/12/2022	JS	F130467	A