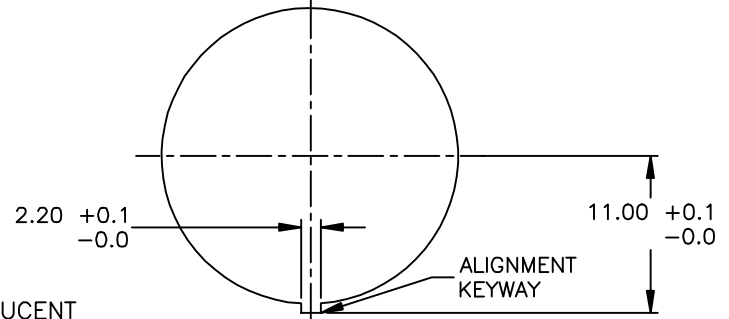
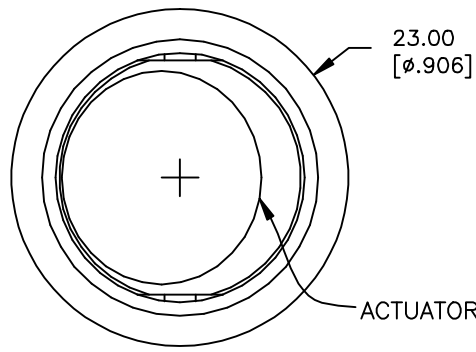
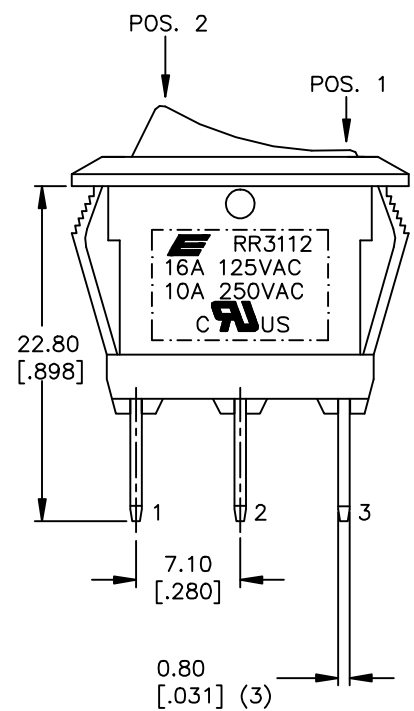
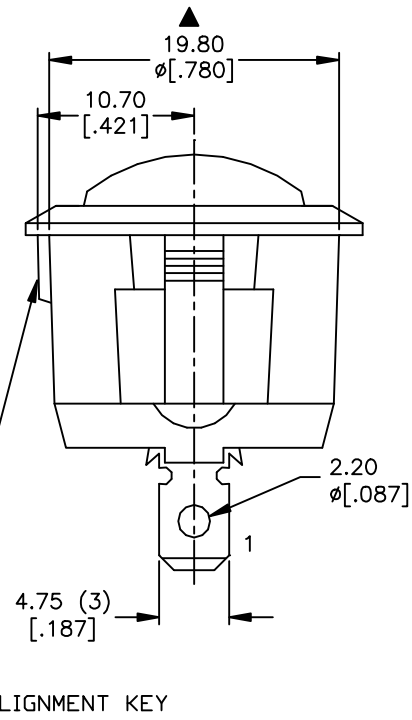
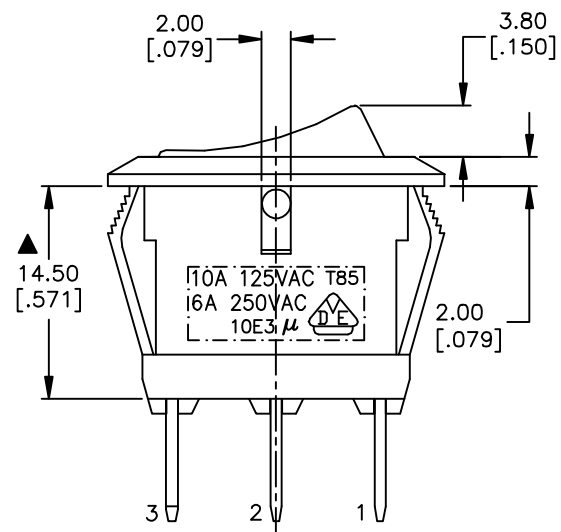


CIRCUIT: 2P; SPST  
CONTACT CONFIGURATION  
ON-OFF (ILLUMINATED)



ACTUATOR: TRANSLUCENT YELLOW LENS  
RECOMMEND PANEL MOUNTING

SWITCH FUNCTION	
POS. 1	POS. 2
ON	OFF
2-1	OPEN



- NOTES:
1. ALL DIMENSIONS IN MM [INCH]
  2. GENERAL TOLERANCE: 0.0=±0.4  
0.00=±0.25
  3. TERM. NOS. FOR REF. ONLY
  4. RATING: 16A, 12 VDC MAX.
  5. CONTACT RESISTANCE: 50m ohm max.
  6. INSULATION RESISTANCE: DC 500V 100M ohm min.
  7. DIELECTRIC STRENGTHS: AC 1500V 1 minute
  8. OPERATING TEMP.: -20°C to 85°C
  9. LED: 12V YELLOW
  10. ▲ DENOTES CRITICAL PARAMETER.
  11. 2002/95/EC (ROHS) COMPLIANT.

REV.	ECN No.	DESCRIPTION	DATE	CHKD
C	20589	CHANGED SCHEMATIC, AND DIM 22.80 WAS 22.60	05/04/12	DRG
B	17941	CHANGE TO TRANSLUCENT YELLOW LENS, 3 TERMS.	1/24/08	BLR
A	16814	RELEASED FOR PRODUCTION	1/8/2007	TN

THE INFORMATION CONTAINED IN THIS DOCUMENT IS PROPRIETARY TO E-SWITCH AND IS NOT TO BE COPIED OR TRANSFERRED

**E-SWITCH®**

TITLE: RR3112BBLKYELYELEF4 - SPECIAL

SCALE: 2:1	DATE: 1/8/2007	DR: BLR	DWG: F130512	REV: C
------------	----------------	---------	--------------	--------