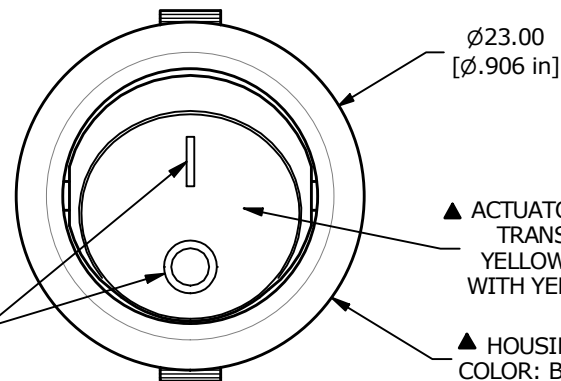
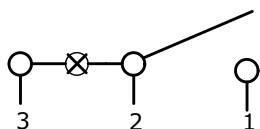


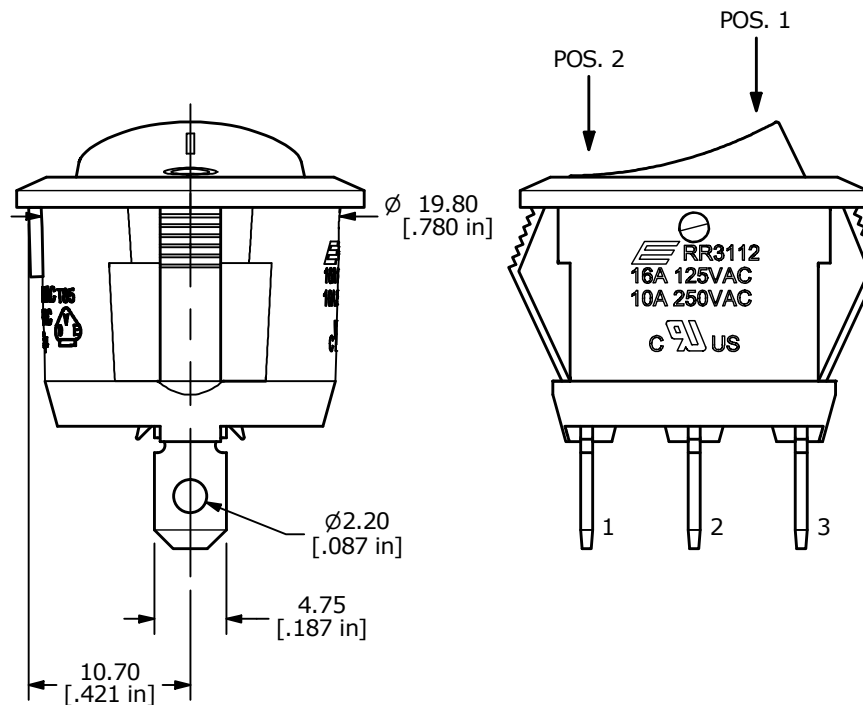
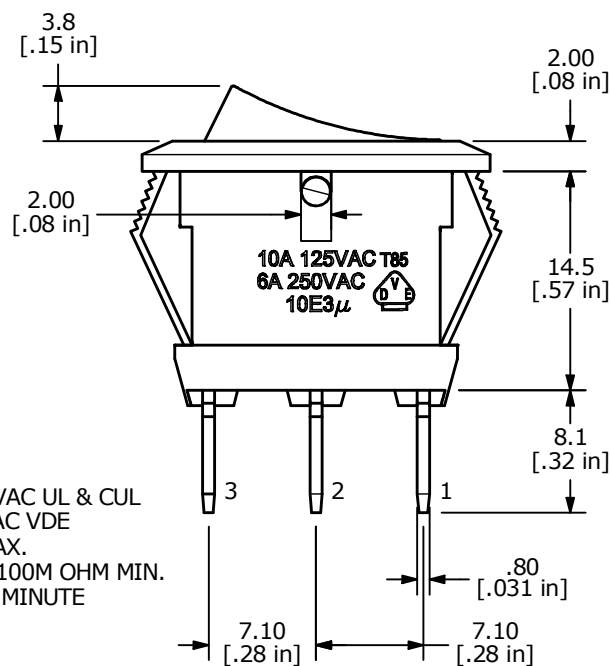
RECOMMENDED
PANEL MOUNTING



SWITCH FUNCTION	
POS. 1	POS. 2
ON	OFF
2-1	OPEN



CIRCUIT: SPST



NOTES:

1. ALL DIMENSIONS IN MM [INCH]
2. GENERAL TOLERANCE: x.x = ±0.4
x.xx = ±0.25
3. TERM. NUMBERS FOR REF. ONLY
4. RATING: 16A @ 125VAC, 10A @ 250VAC UL & CUL
10A @ 125VAC, 6A @ 250VAC VDE
5. CONTACT RESISTANCE: 50m OHM MAX.
6. INSULATION RESISTANCE: DC 500V 100M OHM MIN.
7. DIELECTRIC STRENGTH: AC 1500V 1 MINUTE
8. OPERATING TEMP: -20°C to 85°C
- ▲ 9. LAMP: 110V NEON
10. PANEL THICKNESS: 3.0mm MAX.
11. ▲ DENOTES CRITICAL PARAMETER

REV	ECO NO	DESCRIPTION	DATE	BY
A	ECO-101605	Release	02/02/23	MW



OBJECT ID
100123552

TITLE RR3112BBLKYELYELFF1				
SCALE	DATE	DR	DWG	REV
2:1	1/25/2023	MW	F130468	A