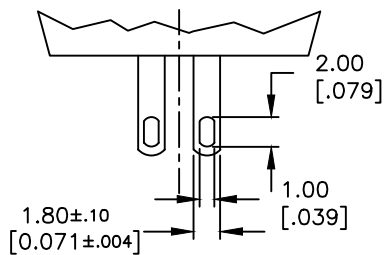
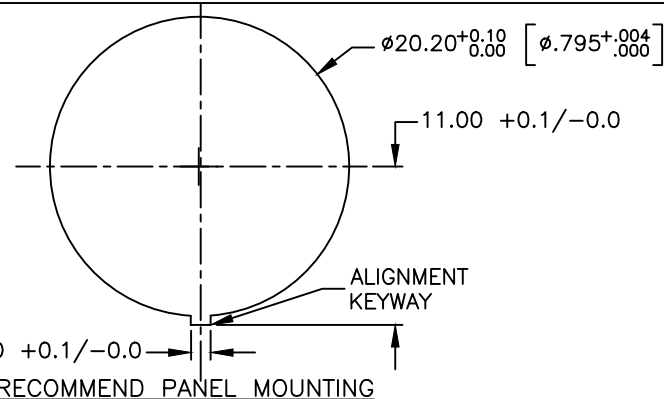
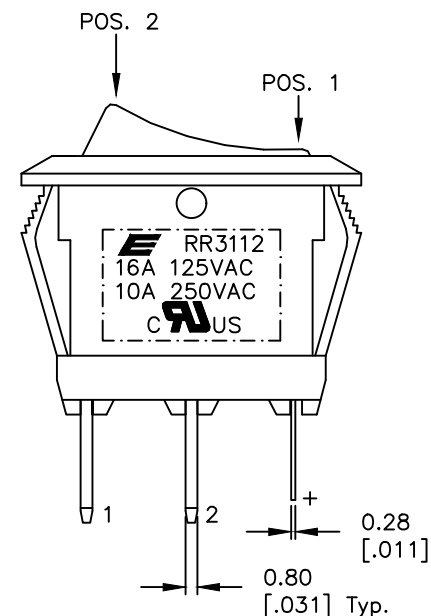
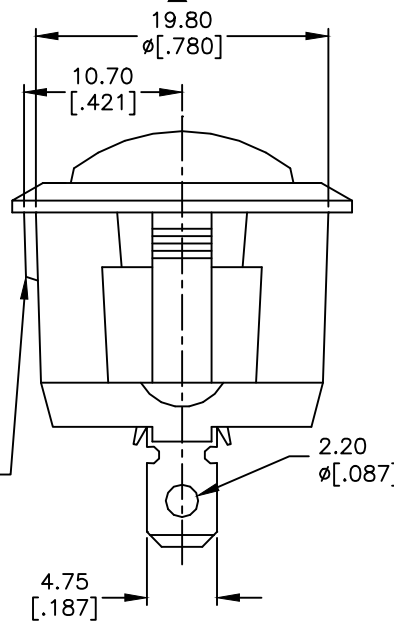
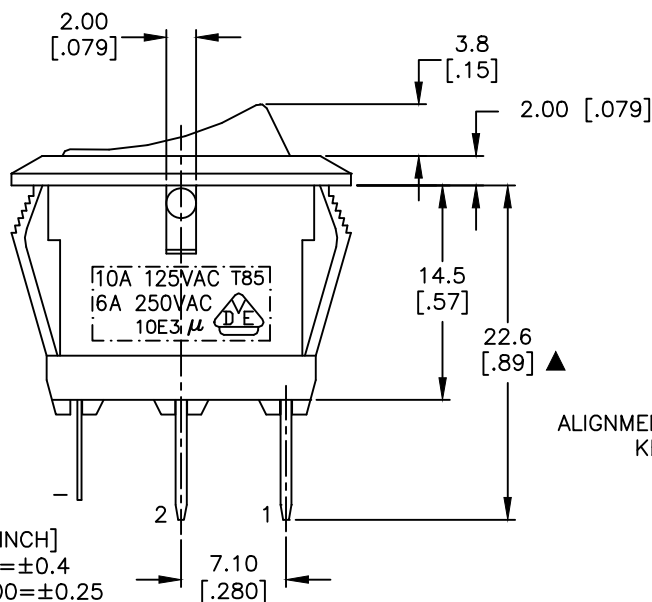


CIRCUIT: 2P; SPST
CONTACT CONFIGURATION
ON-OFF (ILLUMINATED)



LED LEAD DETAIL

SWITCH FUNCTION	
POS. 1	POS. 2
ON	OFF
2-1	OPEN



NOTES:

1. ALL DIMENSIONS IN MM [INCH]
2. GENERAL TOLERANCE: 0.0=±0.4
0.00=±0.25
3. TERM. NOS. FOR REF. ONLY
4. RATING: 16A, 125VAC, 10A, 250VAC UL&CUL APPROVED
10A 125VAC, 6A 250V AC VDE APPROVED
5. CONTACT RESISTANCE: 50m ohm max.
6. INSULATION RESISTANCE: DC 500V 100M ohm min.
7. DIELECTRIC STRENGTHS: AC 1500V 1 minute
8. OPERATING TEMP.: 0°C to 85°C
- ▲ 9. 12V BLUE LED
- ▲ 10. ▲ DENOTES CRITICAL PARAMETER.



REV.	ECN No.	DESCRIPTION	DATE	CHKD
A	24476	RELEASED FOR PRODUCTION	9/10/20	MW

TITLE					RR3112LBLKBLKBLUEF4				
SCALE	DATE	DR	DWG	REV	2:1	9/10/20	MW	F130463	A

THE INFORMATION CONTAINED IN THIS DOCUMENT IS PROPRIETARY TO E-SWITCH AND IS NOT TO BE COPIED OR TRANSFERRED