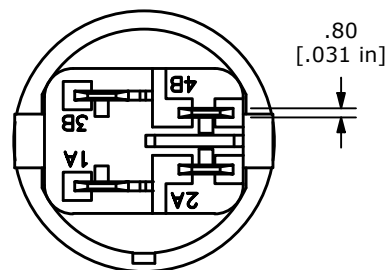
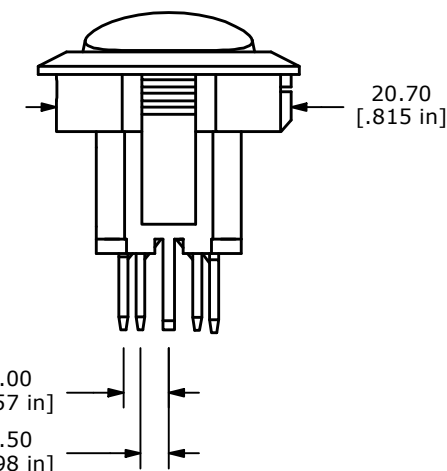
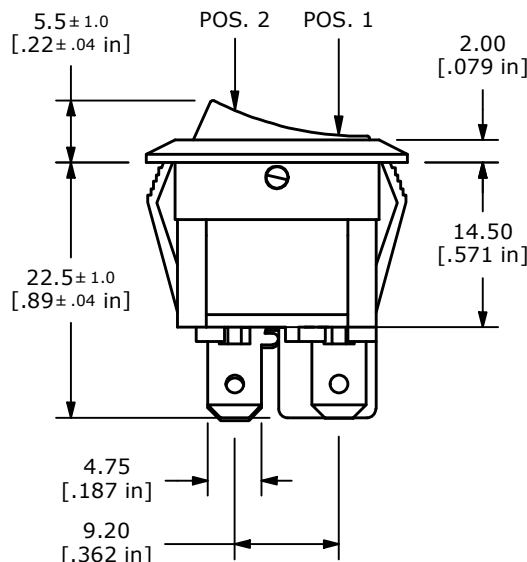
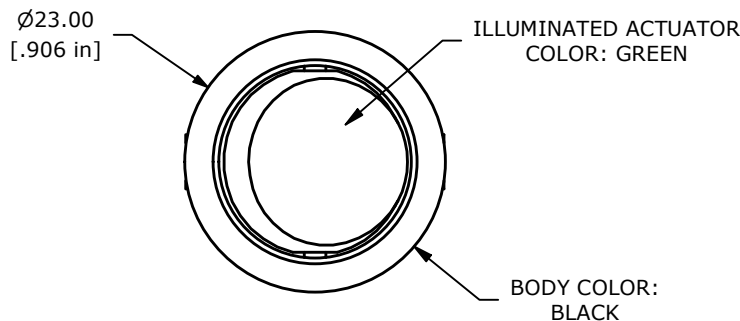
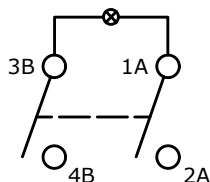


▲ PANEL CUTOUT

PANEL THICKNESS	(X) DIM.
0.75 TO 1.25	20.2mm
1.25 TO 2.00	20.4mm
2.00 TO 3.00	20.6mm



SWITCH FUNCTION	
POS. 1	POS. 2
OFF	ON
OPEN	3B-4B, 1A-2A



CIRCUIT: DPST
FUNCTIONS
▲ OFF - ON

NOTE:

- DIMENSIONS IN MM [INCH]
- GENERAL TOLERANCE: X.X = ± 0.4
X.XX = ± 0.25
- TERMINAL NUMBERS FOR REF ONLY
- CONTACT MATERIAL: SILVER
- CONTACT RATING: 16A 125VAC [UL, cUL]
10A 250VAC [UL, cUL]
1/3HP 125/250VAC [UL, cUL]
- CONTACT RESISTANCE: 35mΩ MAX. @ 50VAC
- INSULATION RESISTANCE: 100MΩ MIN. @ 500VAC
- DIELECTRIC STRENGTH: 1,500VAC FOR 1 MINUTE
- ELECTRICAL LIFE: 6,000 CYCLES [UR, cUR]
- OPERATING TEMPERATURE: -20°C TO 105°C [UR, cUR]
- ▲ DENOTES CRITICAL PARAMETER
- ▲ LENS COLOR, GREEN
- ▲ LAMP VOLTAGE, 125V

REV	ECO NO	DESCRIPTION	DATE	BY	E-SWITCH®				OBJECT ID
E	ECO-100586	NEW RELEASE	12/02/21	MR					100089113
					TITLE RR812C1000-136				
					SCALE	DATE	DR	DWG	REV
					3:2	3/8/2012	BGL	38-RR812C1000136	E