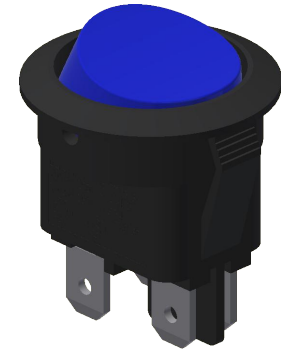
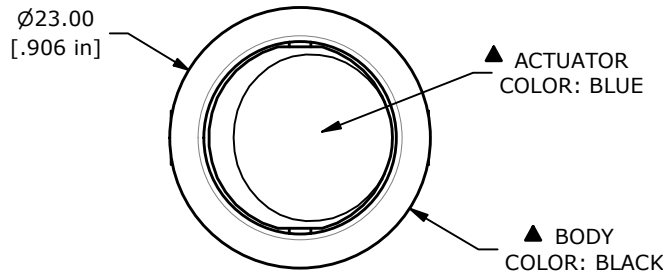
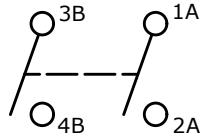


PANEL CUTOUT

| PANEL THICKNESS | (X) DIM. |
|-----------------|----------|
| 0.75 to 1.25 | 20.2mm |
| 1.25 to 2.00 | 20.4mm |
| 2.00 to 3.00 | 20.6mm |



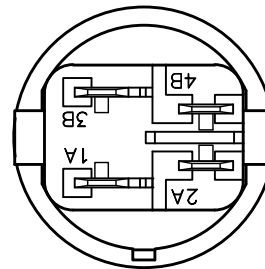
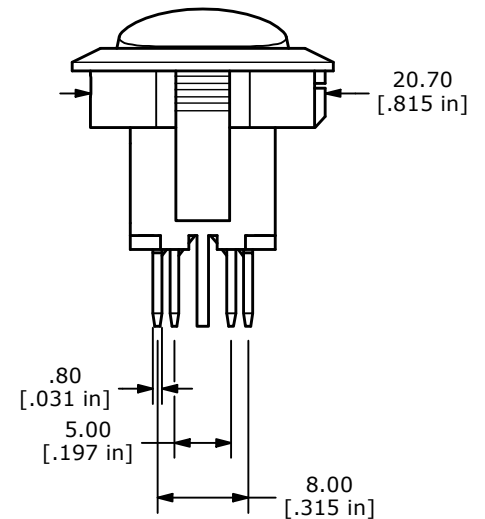
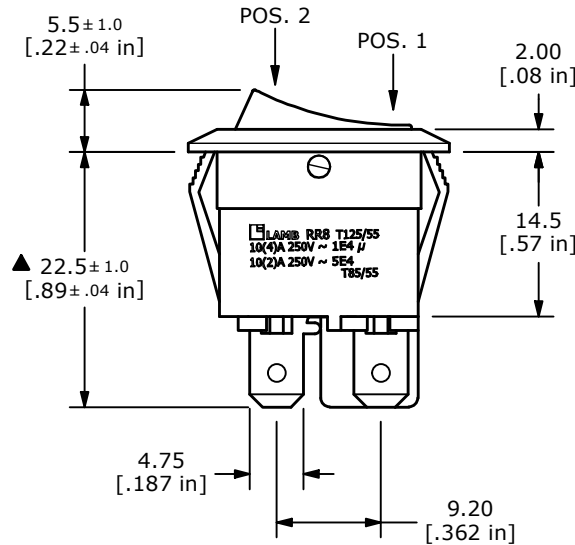
| SWITCH FUNCTION | |
|-----------------|-----------------|
| POS. 1 | POS. 2 |
| | |
| OFF | ON |
| OPEN | 3B-4B, 1A-2A |



▲ CIRCUIT: DPST
FUNCTION
OFF - ON

NOTE:

1. DIMENSIONS IN MM [INCH]
2. GENERAL TOLERANCE: X.X = ±0.4
X.XX = ±0.25
3. TERMINAL NUMBERS FOR REF ONLY
- ▲ 4. CONTACT MATERIAL: SILVER
- ▲ 5. CONTACT RATING: 16A 125VAC [UL, cUL]
10A 250VAC [UL, cUL]
1/3HP 125/250VAC [UL, cUL]
6. CONTACT RESISTANCE: 35mΩ MAX. @ 50VAC
7. INSULATION RESISTANCE: 100MΩ MIN. @ 500VAC
8. DIELECTRIC STRENGTH: 1,500VAC FOR 1 MINUTE
9. ELECTRICAL LIFE: 6,000 CYCLES
10. OPERATING TEMPERATURE: -20°C to 105°C
11. ▲ DENOTES CRITICAL PARAMETER



| REV | ECO NO | DESCRIPTION | DATE | BY |
|-----|------------|-------------|----------|----|
| A | ECO-102731 | Release | 05/22/24 | MW |



OBJECT ID
100127457

| | | | | | | |
|---------------------|--|--------------|-------------------|----------|----------------------|----------|
| TITLE RR812C1700 | | SCALE 3:2 | DATE 5/20/2024 | DR MW | DWG 38-RR812C1700 | REV A |
|---------------------|--|--------------|-------------------|----------|----------------------|----------|