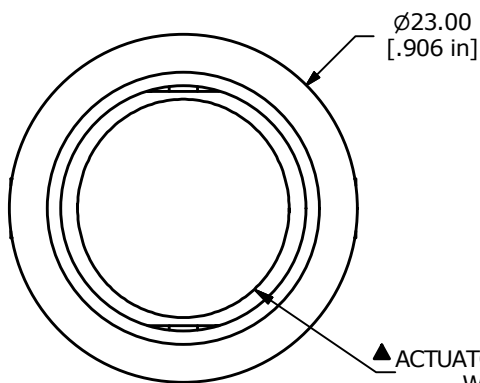
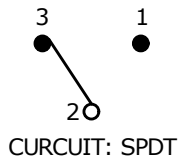
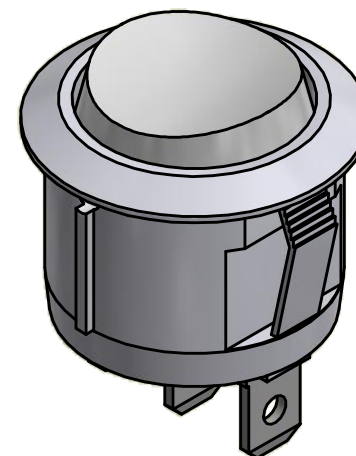


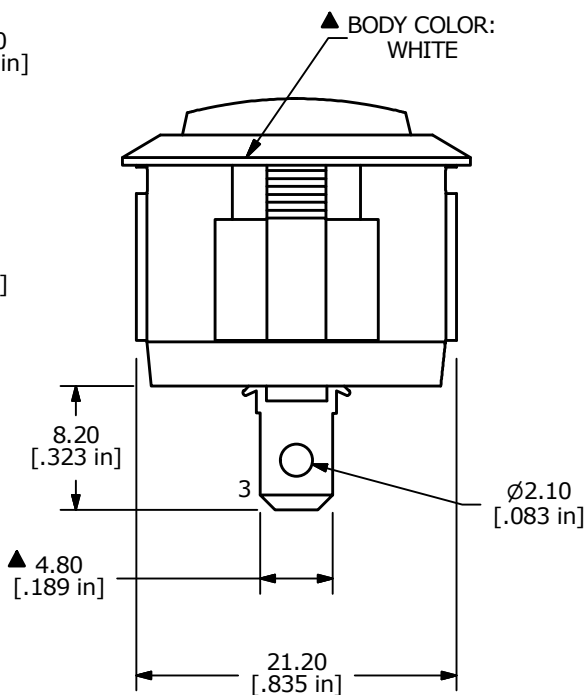
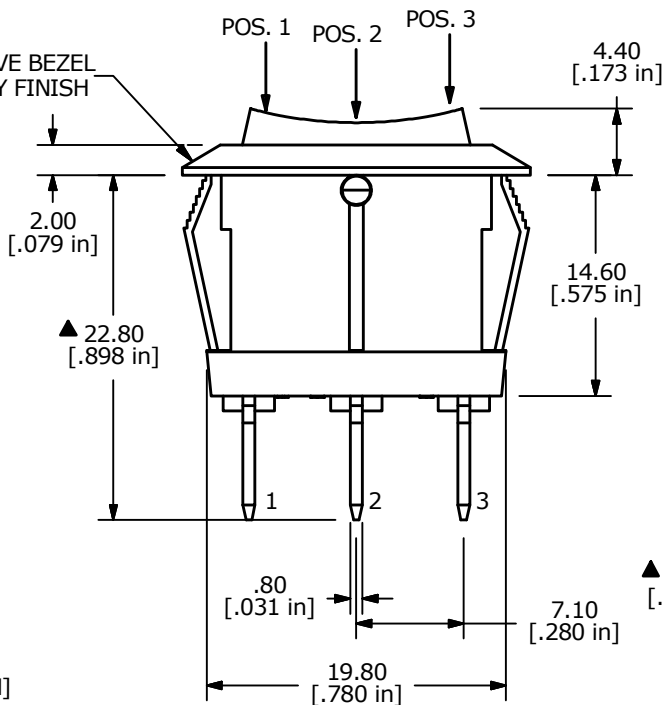
▲ SWITCH FUNCTION		
POS. 1	POS. 2	POS. 3
ON	OFF	ON
2-3	OPEN	2-1



▲ ACTUATOR COLOR: WHITE



▲ SURFACES ABOVE BEZEL HAVE A GLOSSY FINISH



▲ BODY COLOR: WHITE

NOTE:

1. DIMENSIONS IN MM [INCH]
2. GENERAL TOLERANCE: X.X = ± 0.4
X.XX = ± 0.25
3. TERMINAL NUMBERS FOR REF ONLY
4. CONTACT MATERIAL: SILVER
5. CONTACT RATINGS: 10A @ 125VAC [UR, cUR]
10A @ 125V~ [NOM]
6A @ 250V~ [NOM]
6(2)A @ 250V~ [ENEC14]
6. CONTACT RESISTANCE: 35mΩ MAX. @ 50VAC
7. INSULATION RESISTANCE: 1000MΩ MIN. @ 500VAC
8. DIELECTRIC STRENGTH: 1,500VAC FOR 1 MINUTE
9. ELECTRICAL LIFE: 6,000 CYCLES [UR, cUR, NOM]
10,000 CYCLES [ENEC14]
10. OPERATING TEMPERATURE: -20°C TO 105°C [UR, cUR, NOM]
-20°C TO 125°C [ENEC14]
11. ▲ DENOTES CRITICAL PARAMETER
12. 2011/65/EU (ROHS) COMPLIANT



B	23472	REMOVED SEMKO RATING	7/24/18	MJR
A	20104	RELEASE FOR PRODUCTION	8/18/11	BGL
REV	PCR NO	DESCRIPTION	DATE	BY

TITLE RRG38532200				
SCALE 2:1	DATE 8/18/2011	DR BGL	DWG 38-RRG38532200	REV B

THE INFORMATION CONTAINED IN THIS DOCUMENT IS PROPRIETARY TO E-SWITCH AND IS NOT TO BE COPIED OR TRANSFERRED