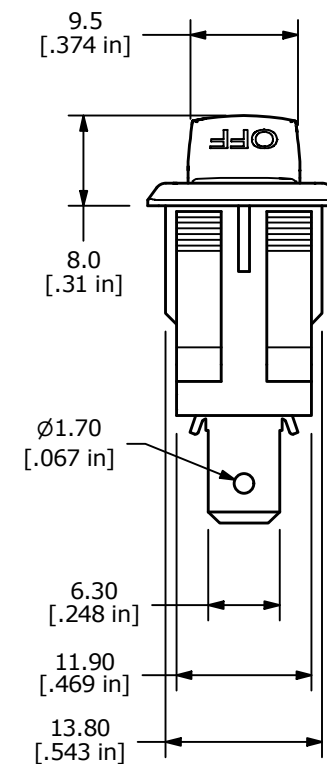
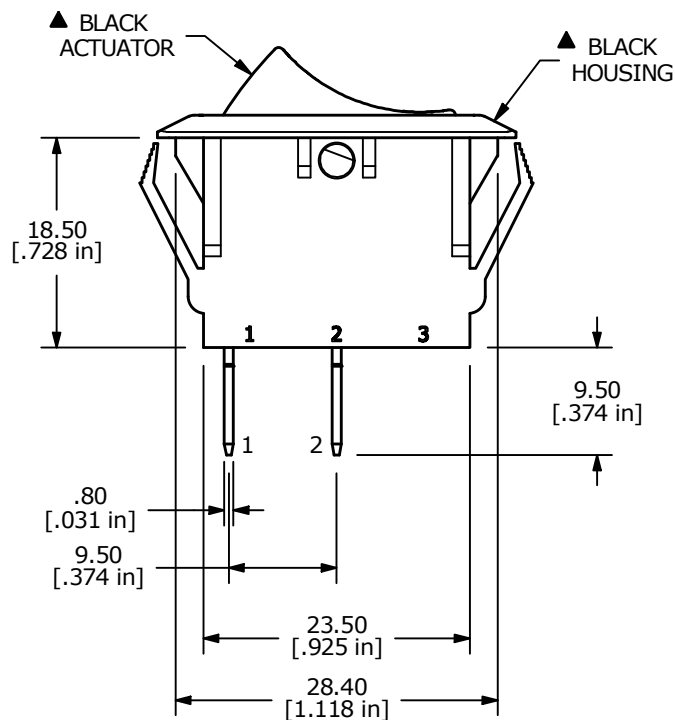
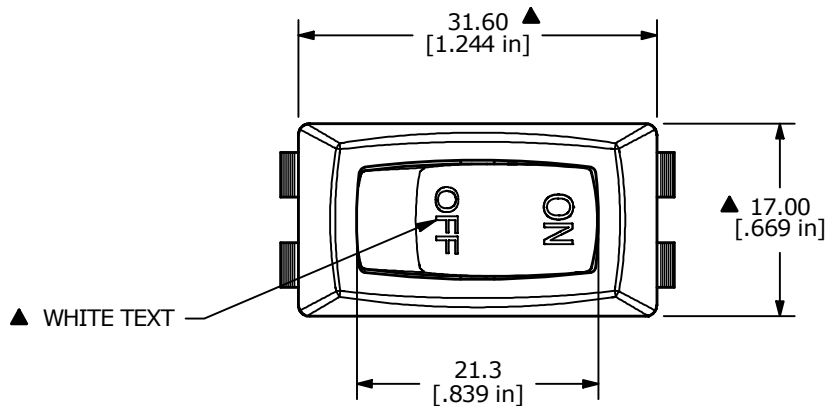


SWITCH FUNCTION	
POS. 1	POS. 2
OFF	ON
NONE	1-2



NOTES:

1. ALL DIMENSIONS IN MM [INCH]
2. GENERAL TOLERANCE: X.X=±0.4
X.XX=±0.25
3. TERM. NOS. FOR REF. ONLY
- ▲ 4. RATING: 15A @125VAC [cURus]
5. ELECTRICAL LIFE: 10,000 CYCLES MIN.
6. CONTACT RESISTANCE: 20 mΩ MAX.
7. OPERATING TEMP: -20°C TO 65°C [cURus, CSA]
-20°C TO 105°C [cURus]
8. DIELECTRIC STRENGTH: >1,000V AC 1MIN
9. INSULATION RESISTANCE: 100 MΩ @ 500VDC
10. ▲ DENOTES CRITICAL PARAMETER.

REV	ECO NO	DESCRIPTION	DATE	BY
D	ECO-100689	REMOVE VDE/ENEC RATING AND LOGO	02/03/22	JS



OBJECT ID
000001612

TITLE RSC141C1123		SCALE 3:2	DATE 11/15/2013	DR EBP	DWG 38-RSC141C1123	REV D
----------------------	--	--------------	--------------------	-----------	-----------------------	----------