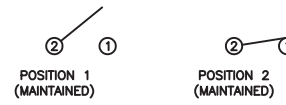


SCHEMATIC



SPECIFICATIONS

FUNCTION:  
1P1T OFF-ON

RATINGS:  
ANSI/UL 1054:  
20A 125VAC [cURus]  
16A 250VAC [cURus]  
1/3HP 125/250VAC [cURus]  
3/4HP 125/250VAC [cURus]

CONTACT RESISTANCE:  
Initial: 20mΩ Max.

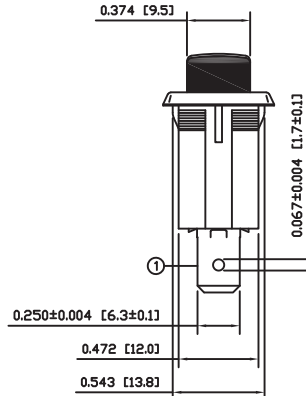
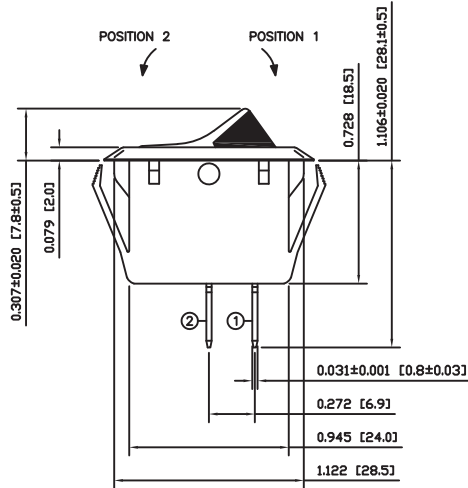
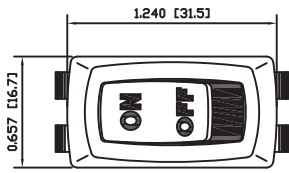
INSULATION RESISTANCE:  
100MΩ Min. at 500VDC

DIELECTRIC STRENGTH:  
1,000VAC for 1 Minute

ELECTRICAL LIFE:  
6,000 Cycles [cURus]

TEMPERATURE:  
Operating: -20°C to 105°C [cURus]

APPROVALS:



COLORS AND MARKINGS

BODY:  
Black

ACTUATOR:  
Black/Red

MARKINGS:  
ON/OFF Vertical (3)

MARKING COLOR:  
Red

MATERIALS

BODY:  
Polyamide 6/6 (PA66), UL94 V-2

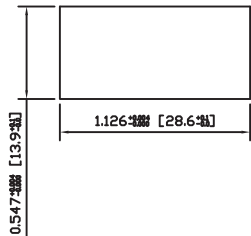
ACTUATOR:  
Polyamide 6/6 (PA66), UL94 V-2

SPRING:  
Steel

CONTACTS:  
Silver Plated Copper

TERMINALS:  
Silver Plated Copper  
Silver Plated Brass

SUGGESTED PANEL CUTOUT



OBJECT ID: 00000334



RSC141D1A83

ACTUATOR	A	09/08/13	CAB
BODY	B	10/05/10	CAB
COLORS	A	09/08/13	CAB
MATERIALS	A	09/08/13	CAB
SPECIFICATIONS	B	10/01/27	CAB
REFERENCE	REV.	DATE	BY

THE INFORMATION CONTAINED IN THIS DOCUMENT IS PROPRIETARY TO E-SWITCH AND IS NOT TO BE COPIED OR TRANSFERRED

REV.	DESCRIPTION	DATE	BY
C	REMOVE VDE/ENEC RATING A LOGO	01/25/22	JS
B	UPDATED RATING ADDING 1/3HP 125/250VAC	01/19/18	MJR
A	INITIAL RELEASE	01/18/11	CAB

DIMENSIONS		INCHES [MILLIMETERS]	
GENERAL TOLERANCES	±0.008 [±0.2] / ±1'		
SCALE	DRAWING NOT TO SCALE		

TITLE	ITEM NUMBER	DATE	REVISION
RSC141D1A83	14-RSC141D1A83	JANUARY 18, 2011	C