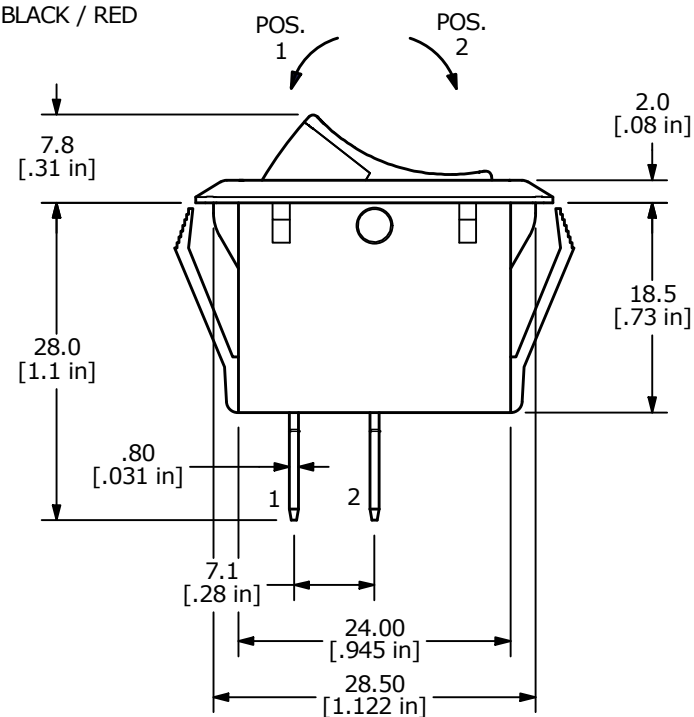
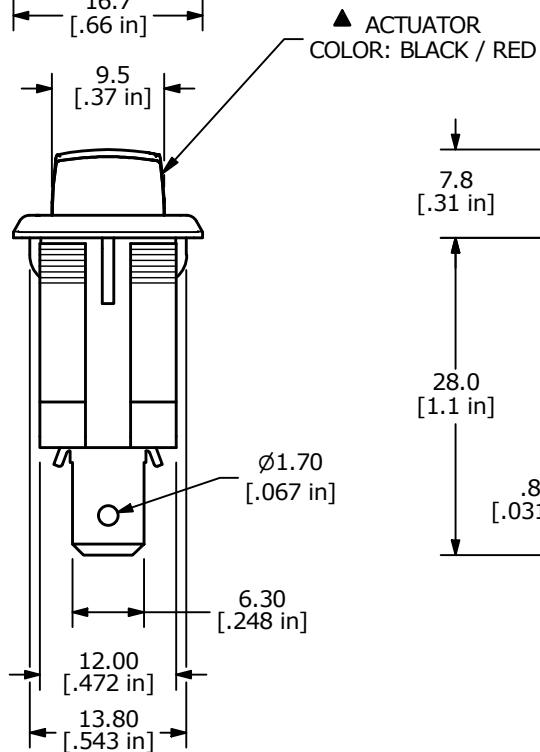
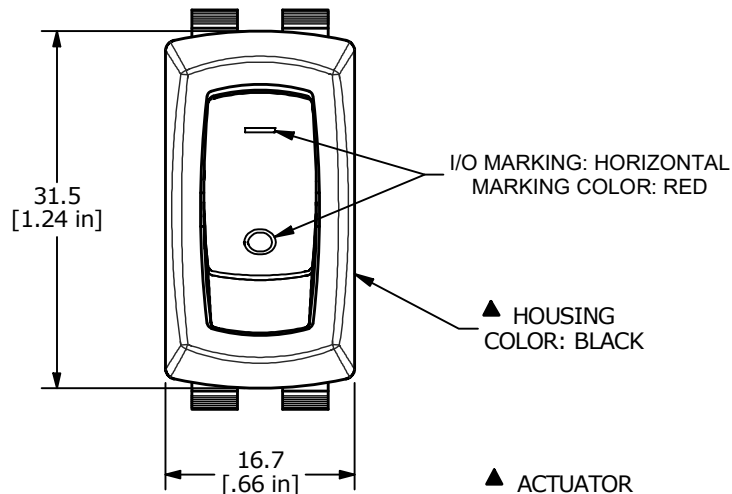


SWITCH FUNCTION	
POS. 1	POS. 2
OFF	ON
OPEN	1-2

NOTES:

1. ALL DIMENSIONS IN MM [INCH]
2. GENERAL TOLERANCE: X.X = ±0.4
X.XX = ±0.25
3. TERM. NOS. FOR REF. ONLY
4. RATING: 20A 125VAC [cURus]
16A 250VAC [cURus]
1/3HP 125/250VAC [cURus]
3/4HP 125/250VAC [cURus]
5. MATERIAL:
CONTACT SURFACE: SILVER PLATED COPPER
CIRCUIT TERMINAL: BRASS ALLOY w/SILVER PLATE
6. ELECTRICAL LIFE: 10,000 CYCLES MIN.
7. CONTACT RESISTANCE: 20m OHMS MAX.
8. OPERATING TEMP: -20°C to 65°C [cURus]
-20°C to 105°C [cURus]
9. DIELECTRIC STRENGTH: >1,000V AC 1MIN
10. ▲ DENOTES CRITICAL PARAMETER.



REV	ECO NO	DESCRIPTION	DATE	BY
B	ECO-100550	REMOVE VDE/ENEC RATING AND LOGO	02/03/22	JS



OBJECT ID
000000335

TITLE RSC141D1A8R				
SCALE 1.5:1	DATE 6/20/2018	DR MW	DWG 14-RSC141D1A8R	REV B