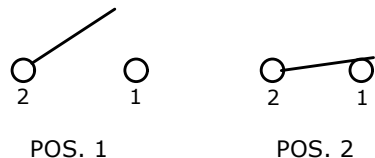
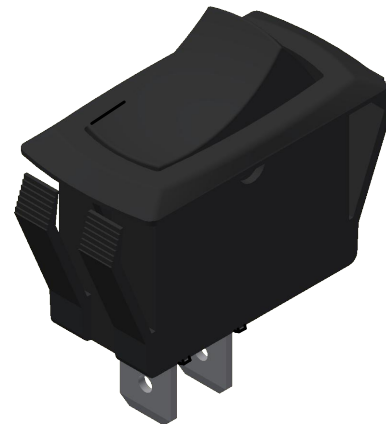
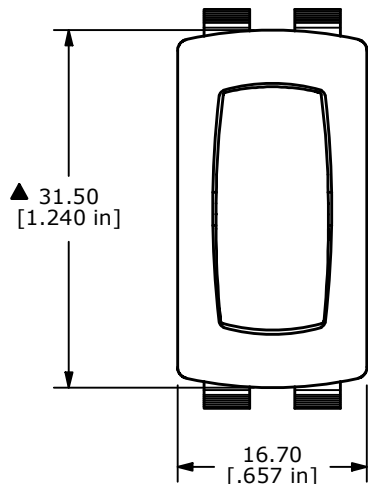


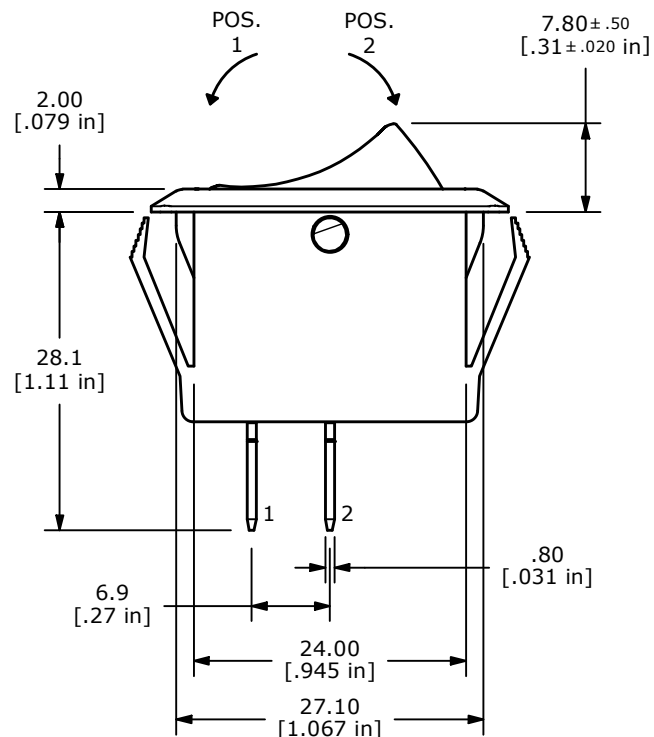
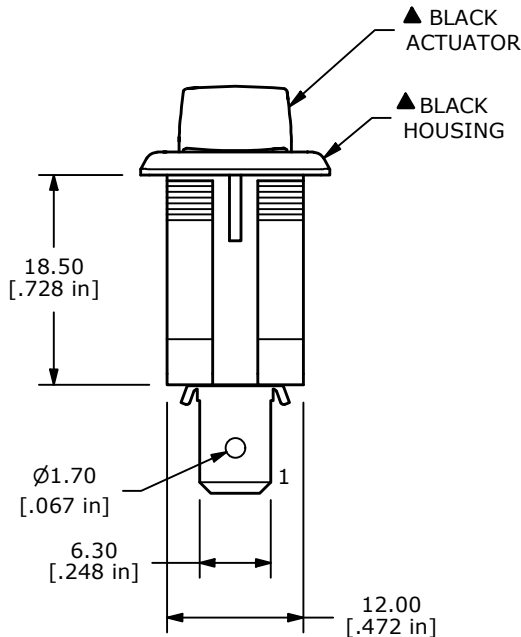
SUGGESTED PANEL CUTOUT



▲ **CIRCUIT: SPST**
OFF - ON



- NOTES:**
1. ALL DIMENSIONS IN MM [INCH]
 2. GENERAL TOLERANCE: X.X=±0.4
X.XX=±0.25
 3. TERM. NOS. FOR REF. ONLY
 - ▲ 4. RATING: 20A @ 125VAC [cURus]
16A @ 250VAC [cURus]
1/3HP 125/250VAC [cURus]
3/4HP 125/250VAC [cURus]
 5. MATERIAL:
CONTACT SURFACE: SILVER PLATED COPPER
CIRCUIT TERMINAL: BRASS ALLOY w/SILVER PLATE
 6. ELECTRICAL LIFE: 6,000 CYCLES MIN.
 7. CONTACT RESISTANCE: 20 mΩ MAX.
 8. INSULATION RESISTANCE: 100MΩ MIN. @ 500VDC
 9. OPERATING TEMP: 0°C TO 105°C [cURus]
 10. DIELECTRIC STRENGTH: >1,000V AC 1MIN
 11. ▲ DENOTES CRITICAL PARAMETER.



REV	ECO NO	DESCRIPTION	DATE	BY
E	ECO-102811	PRINT UPDATE	06/18/24	JS



OBJECT ID
000000340

TITLE RSC241D1100				
SCALE 1.5:1	DATE 3/25/2013	DR EBP	DWG 14-RSC241D1100	REV E