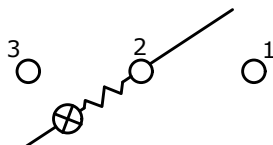
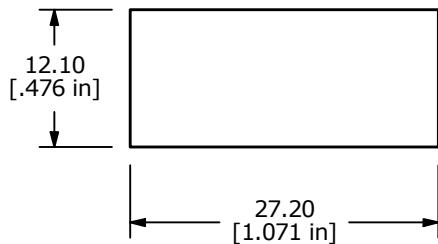
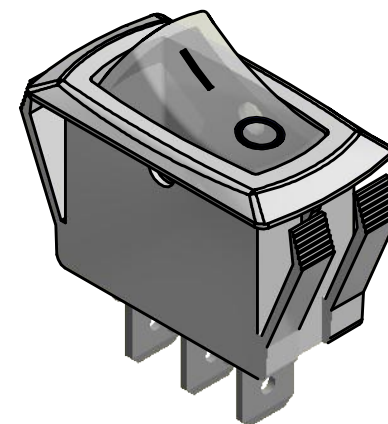
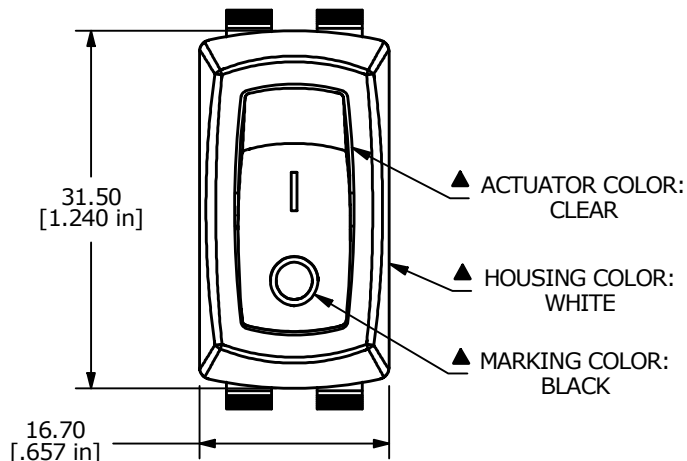


▲ SUGGESTED PANEL CUTOUT

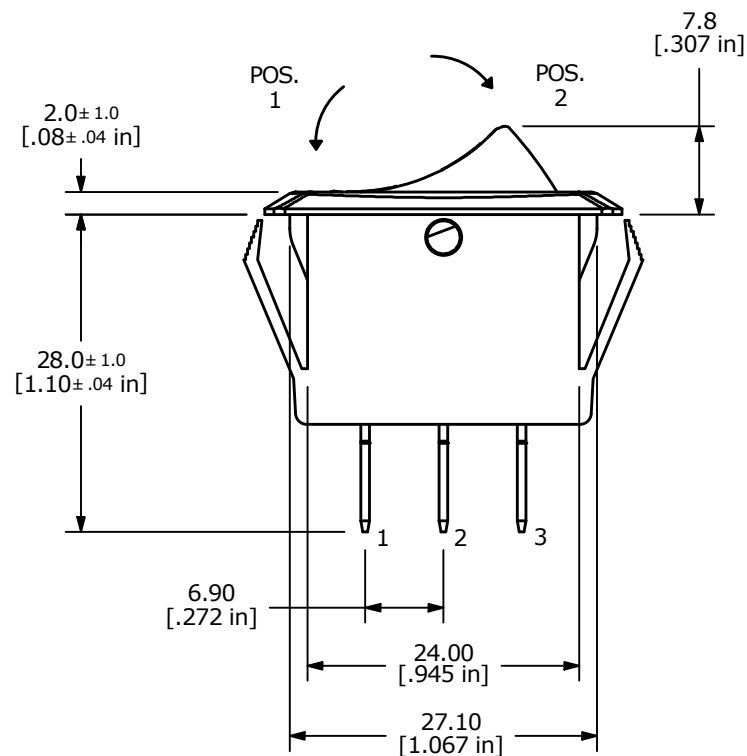
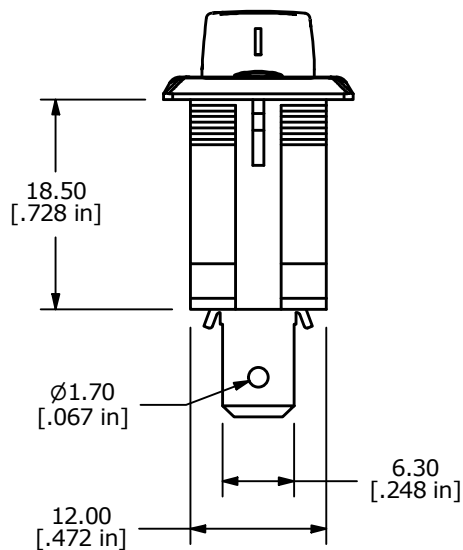


CIRCUIT: SPST  
OFF - ON



NOTES:

1. ALL DIMENSIONS IN MM [INCH]
2. GENERAL TOLERANCE: X.X=±0.4  
X.XX=±0.25
3. TERM. NOS. FOR REF. ONLY
- ▲ 4. RATING: 20A 125VAC [cURus]  
16A 250VAC [cURus]  
1/3HP 125/250VAC [cURus]  
3/4HP 125/250VAC [cURus]
5. MATERIAL:  
CONTACT SURFACE: SILVER PLATED COPPER  
TERMINAL: BRASS ALLOY w/SILVER PLATE
6. ELECTRICAL LIFE: 10,000 CYCLES MIN.
7. CONTACT RESISTANCE: 20 Milli-OHMS MAX.
8. OPERATING TEMP: -20°C TO 65°C [cURus]  
-20°C TO 105°C [cURus]
9. DIELECTRIC STRENGTH: >1,000V AC 1MIN
10. LAMP VOLTAGE: 24V BULB
11. ▲ DENOTES CRITICAL PARAMETER.
12. LENS COLOR, CLEAR



REV	ECO NO	DESCRIPTION	DATE	BY
C	ECO-100550	REMOVE VDE/ENEC RATING AND LOGO	02/03/22	JS



OBJECT ID  
000000344

TITLE RSC241D2011-105				
SCALE	DATE	DR	DWG	REV
1.5:1	7/26/2016	MJR	14-RSC241D2011105	C