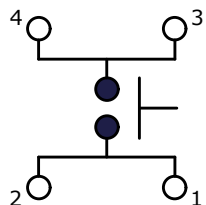
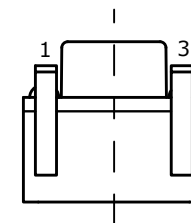
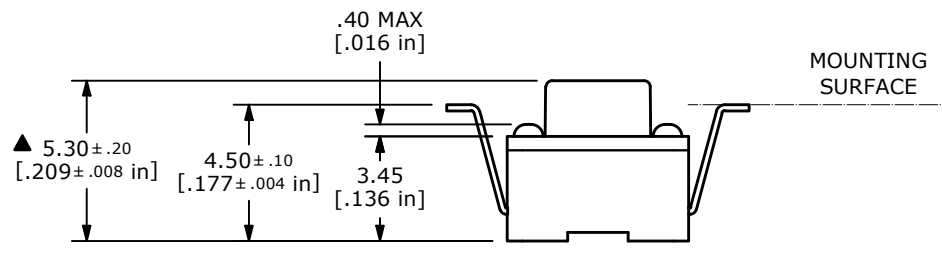
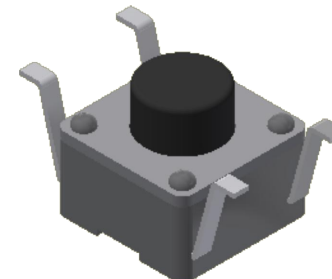
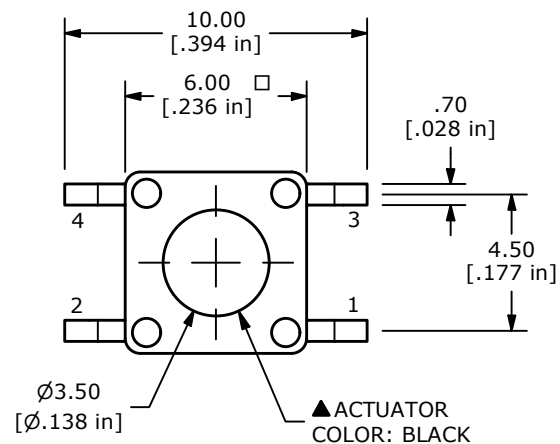


RECOMMENDED P.C.B. LAYOUT




▲ CIRCUIT: SPST



NOTES:

1. ALL DIMENSIONS IN MM [INCH]
2. GENERAL TOLERANCE: X.X = ± 0.4
X.XX = ± 0.25
3. TERMINAL NUMBERS FOR REF. ONLY
4. RATING: 50mA @ 12VDC
- ▲ 5. OPERATING FORCE: 100 ± 30gf
6. TRAVEL: 0.25 +0.2/-0.1mm
7. CONTACT RESISTANCE: 100mΩ MAX.
8. CONTACT MATERIAL: SILVER PLATING
9. DIELECTRIC STRENGTH: 250VAC FOR 1 MINUTE.
10. INSULATION RESISTANCE: 100MΩ MIN. @100VDC
11. ELECTRICAL LIFE: 100,000 CYCLES
12. ▲ DENOTES CRITICAL PARAMETER
13. OPERATING TEMP: -40°C to +85°C
14. PACKAGING: TAPE and REEL, 1,000 PCS / REEL
- ▲ 15. RIGHT AND LEFT VARIATION TO BE WITHIN 0.1mm AFTER TERMINAL BENDING

REV	ECO NO	DESCRIPTION	DATE	BY		OBJECT ID
B	ECO-102890	CHANGE ACTUATOR COLOR TO BLACK	07/30/24	JS		100127143
					TITLE	RT3301AF100Q
			SCALE	DATE	DR	REV
			4:1	3/27/2024	JS	B
					DWG	P011402