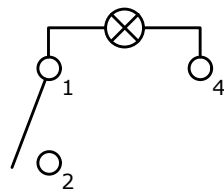


SUGGESTED PANEL CUTOUT

PANEL THICKNESS	(X) +.10mm/-0.00mm
1.5 - 2.0 mm	36.8 mm
2.0 - 3.0 mm	37.2 mm
3.0 - 4.0 mm	37.5 mm

SWITCH FUNCTION	
POS. 2	POS. 1
(ON)	OFF
2-1	OPEN

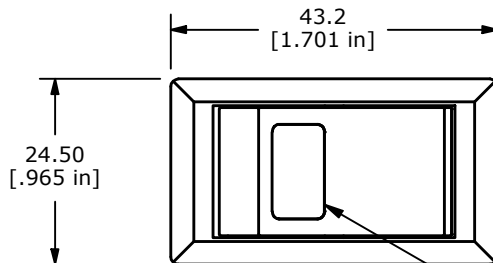
(ON) = MOMENTARY



▲ **CIRCUIT: SPDT**
OFF - (ON)
(ON) = MOMENTARY

NOTES:

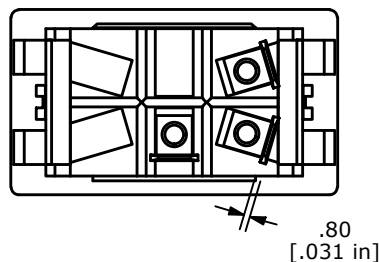
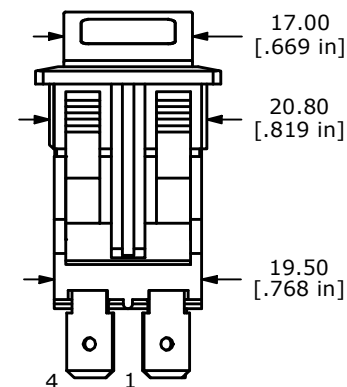
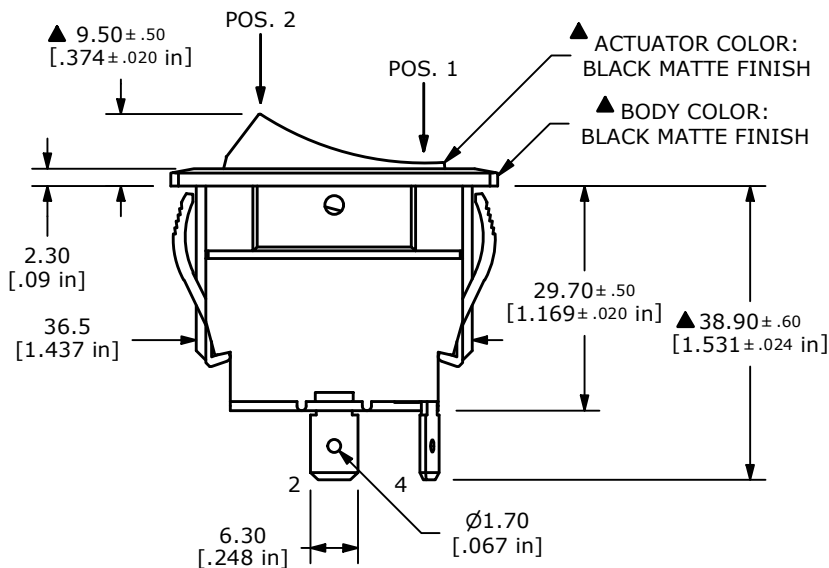
- ALL DIMENSIONS IN MM [INCH]
- GENERAL TOLERANCE: X.X=± 0.5
X.XX=± 0.3
- RATINGS: ANSI/UL 508 AND CAN/CSA C22.2 NO.14 (E195908):
20A, 125VAC [cURus]
15A, 277VAC [cURus]
1.5HP, 110/250VAC [cURus]
- CONTACT RESISTANCE: 50 mΩ MAX. @ 50VAC
- INSULATION RESISTANCE: 2 MΩ MIN. @ 500VDC
- OPERATING TEMPERATURE: 0°C TO +55°C [cURus, CSA]
0°C TO +55°C [VDE]
- ELECTRICAL LIFE: 6,000 CYCLES [cURus]
- DIELECTRIC STRENGTH: 1,500V FOR 1 MINUTE
- INGRESS PROTECTION: IP54
- ▲ DENOTES CRITICAL PARAMETER
- ▲ NEON LAMP VOLTAGE: 125V.



▲ LENS COLOR:
TRANSPARENT RED

▲ ACTUATOR COLOR:
BLACK MATTE FINISH

▲ BODY COLOR:
BLACK MATTE FINISH



C	24806	UPDATED DIMENSIONS, CUTOUT, NOTES	3/19/21	JM
B	22503	UPDATED NOTES	5/18/17	MJR
A	18956	INITIAL RELEASE	3/24/10	CAB
REV	PCR NO	DESCRIPTION	DATE	BY



TITLE RVW44D1100-116				
SCALE 1:1	DATE 3/24/2010	DR CAB	DWG 34-RVW44D1100116	REV C

THE INFORMATION CONTAINED IN THIS DOCUMENT IS PROPRIETARY TO E-SWITCH AND IS NOT TO BE COPIED OR TRANSFERRED